



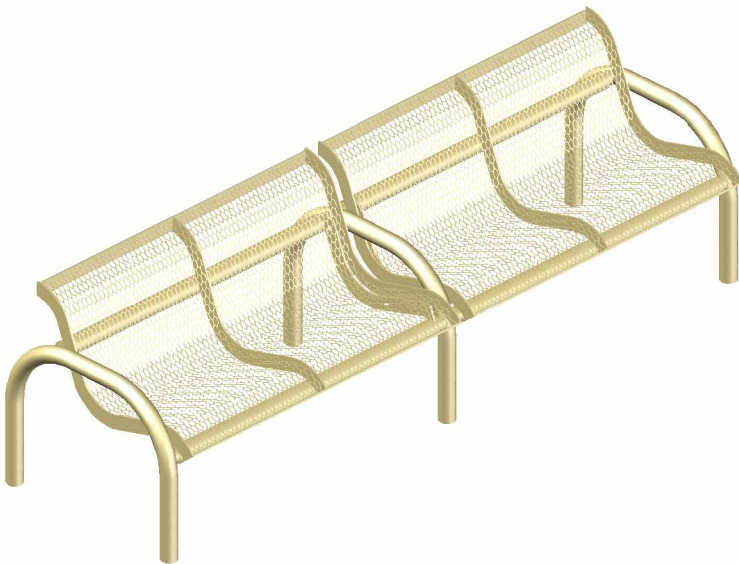
# B4WBMODERNS— ADDON

8' MODERN STYLE  
ADD ON BENCH WITH BACK  
INGROUND MOUNT DESIGN

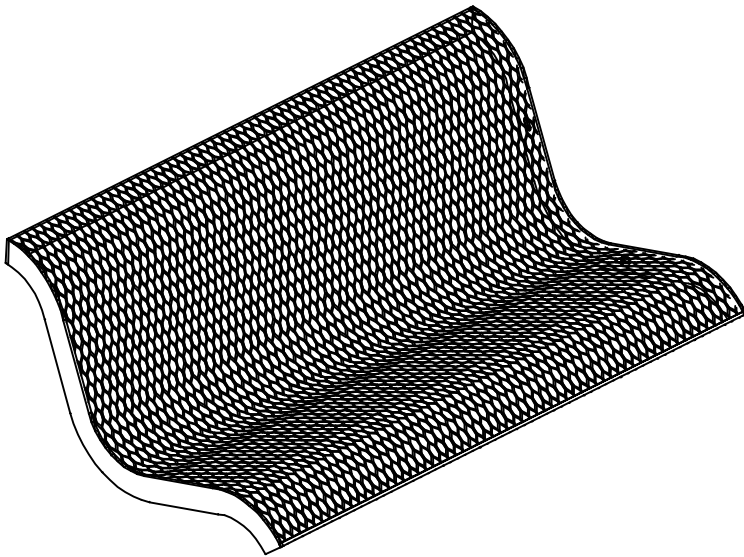
WEBCOAT PRODUCTS  
P.O. BOX 3160  
McALESTER, OKLAHOMA 74501  
1-800-505-5101  
FAX: (918)426-5924  
E-MAIL: WEBCOAT@WEBCOAT.COM

Please take the time to locate and identify each part. Assemble the units on a smooth flat surface. It is also helpful to lay the tops and seats on cardboard or a drop cloth to prevent scratching of the surface during assembly. All parts have been pre-cut and pre-drilled for ease of assembly. All holes are slotted to allow for easy assembly and for final levelling of tops and seats to frames. Fully assemble all parts without totally tightening nuts and bolts. After all assembled go back and retighten nuts to bolts. DO NOT OVER TIGHTEN NUTS TO BOLTS. Over tightened nuts can crack the plastisol coating. All the necessary quantities of parts required are listed in this assembly instructions.

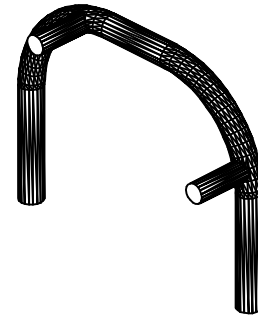
DO NOT BEGIN ASSEMBLY UNTIL YOU HAVE READ THESE INSTRUCTIONS AND ARE FAMILIAR WITH THE PARTS.



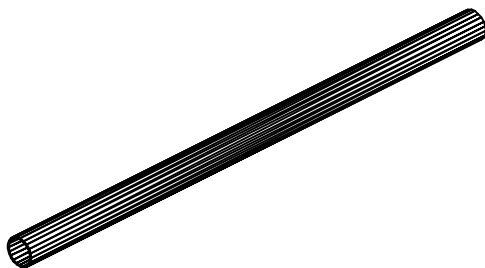
# PARTS IDENTIFICATION



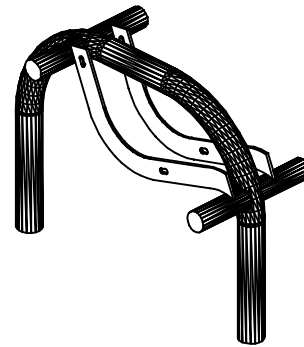
(A) 4' MODERN SEAT WITH BACK



(B) BENCH FRAME



(C) CONNECTING PIPE



(D) MODERN BENCH ADDON CENTER FRAME

## PARTS LIST

ITEM	PART#	DESCRIPTION	QTY.
A	S4WBMODERN	4' MODERN SEAT W/BACK	2
B	FBWBMODERNI	MODERN BENCH FRAME	2
C	F4CPIPE	CONNECTING PIPE	4
D	FBWBMADONCI	MODERN WB CENTER FRAME	1

ITEM	HARDWARE DESCRIPTION	QTY.
HW1	5/16" X 18 NYL LOCKNUTS	8
HW2	5/16" X 18GA CAP BOLTS	8
HW3	5/16" FLAT WASHERS	16
HW4	BOLT GUARDS	8

ASSEMBLY TOOLS REQUIRED  
2- 1/2" WRENCHES

## HARDWARE IDENTIFICATION



(HW1) 5/16" X 18 NYL LOCKNUTS



(HW2) 5/16" X 18 GAUGE CAP BOLTS



(HW3) 5/16" FLAT WASHERS



(HW4) BOLT GUARDS

# ASSEMBLY PROCEDURES

## STEP 1

FOLLOWING THE FOOTING DIAGRAM BELOW, DIG FOUR HOLES APPROXIMATELY 18" DEEP AND 12" ROUND. SET BENCH END FRAMES 50 3/8" APART CENTER TO CENTER OF THE INGROUND POSTS. PLUMB THE FRAMES AND FILL WITH CONCRETE, LET STAND 24 HOURS BEFORE COMPLETING THE ASSEMBLY INSTRUCTIONS.

## STEP 2

SLIDE THE TWO 43 1/2" X 2 3/8" STRAIGHT TUBING OVER THE 2" ROUND STUBS THAT ARE FACING EACH OTHER THIS WILL SPREAD THE ENDS APART THE PROPER DISTANCE AND JOIN THE ENDS TOGETHER.

## STEP 3

SET THE ONE PIECE COATED SEAT INTO THE FRAME THAT HAS BEEN MADE BY JOINING THE ENDS TOGETHER WITH THE FRAME MOUNTING BRACKETS TO THE INSIDE OF THE SEAT.

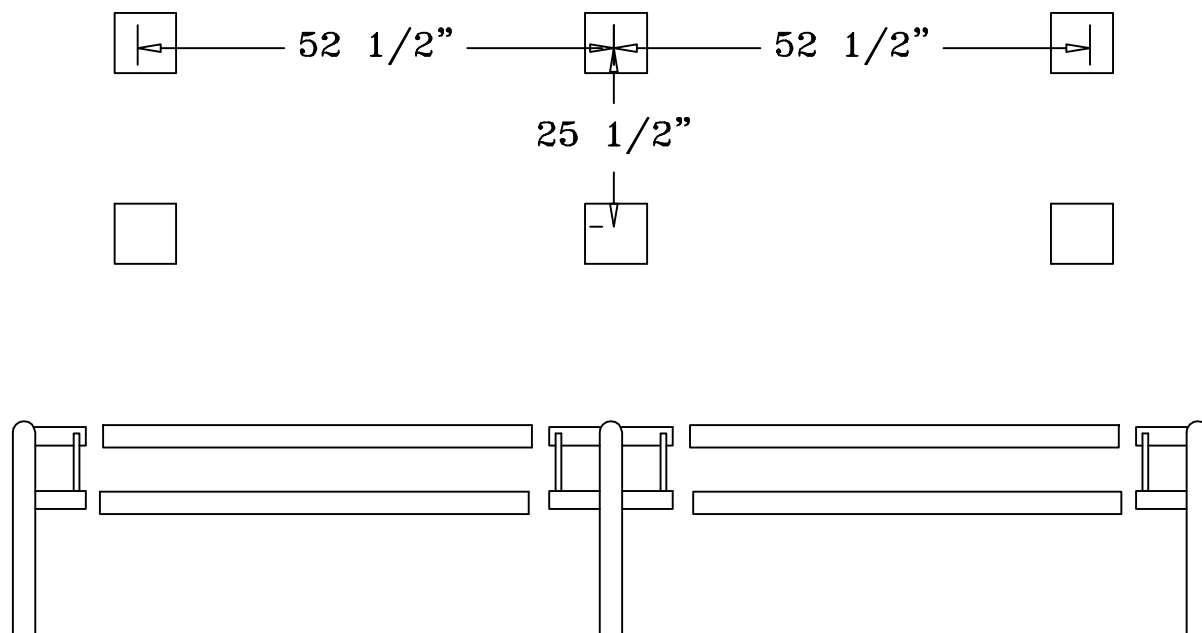
## STEP 4

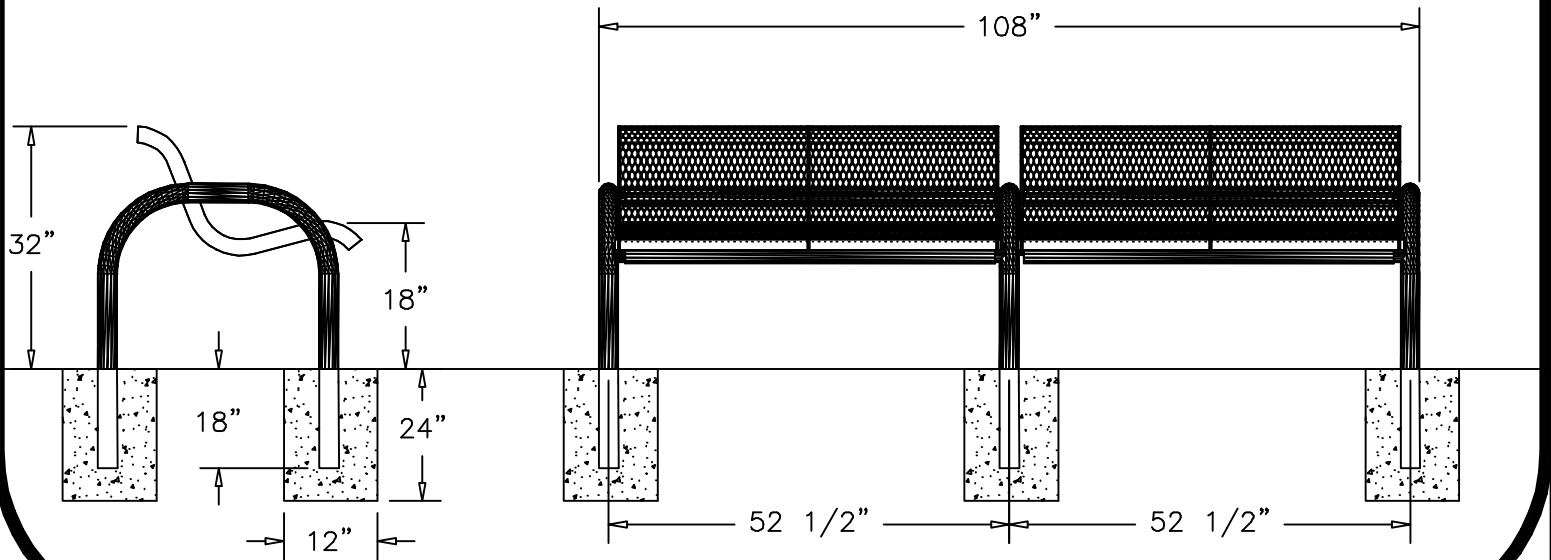
MOUNT THE COATED FORMED SEAT TO THE FRAME BY MEANS OF FOUR 5/16" BOLTS, EIGHT 5/16" FLAT WASHERS, AND FOUR NYLOCK NUTS THROUGH THE SLOTTED HOLES IN THE UNDER SEAT SUPPORTS AND THROUGH THE SLOTTED HOLES ON THE FRAME SET SUPPORTS ON EACH END OF THE FRAME.

## STEP 4

TIGHTEN ALL NUTS ON ALL BOLTS AND PLACE THE BOLT GUARDS ON ALL NUTS. **DO NOT OVER TIGHTEN THE NUTS AS THIS COULD CAUSE THE PLASTISOL COATING TO CRACK.**

FOOTING DETAIL





## SPECIFICATIONS

TWO 4' POLY VINYL CURVED EXPANDED METAL MODERN BENCH WITH BACK. THE ONE PIECE DESIGN CREATES THE CONTEMPORARY LOOK WITH THE MAXIMUM OF STRENGTH. FRAME IS INGROUND MOUNT DESIGN.

COATED WITH A 1/8" TO 1/4" THICK PLASTISOL ULTRAVIOLET STABILIZED VINYL COATING FUSED AND BAKED TO A 90% GLOSS.

SEAT HEIGHT IS 18" APPROXIMATELY. BACK HEIGHT IS 32" APPROXIMATELY. TOTAL OVERALL DIMENSIONS ARE 108 5/8" X 32" APPROXIMATELY.

SEAT IS MADE FROM HEAVY DUTY 3/4" #9 EXPANDED METAL INSIDE A 3/16" FLAT STEEL FRAME.

UNDERSTRUCTURE IS MADE FROM HEAVY WALL TUBING IN A FOUR PIECE DESIGN, FABRICATED TO CREATE ARM RESTS ON EACH END. UNDER FRAME IS MADE OF 2 7/8" GALVANIZED TUBING THAT IS COATED WITH A BAKED ON DRY POLYESTER POWDER COAT FINISH.

ALL HARDWARE IS NON-CORROSIVE.

WEIGHT FOR THE B4WBMODERNS-ADDON IS 105 LBS.

## MAINTENANCE

To maintain luster it is recommended to wash, rinse, and dry the units after prolonged use. Check for loose bolts and nuts and tighten as needed. Contact the factory for genuine Webcoat part replacements if needed.