



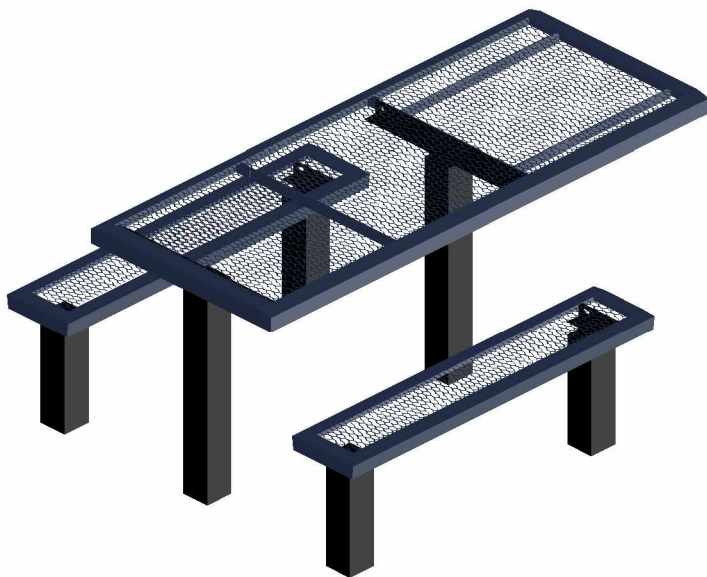
# T10INFHDCP4-4S

## 10' INFINITY STYLE HANDICAP PEDESTAL TABLE INGROUND MOUNT DESIGN

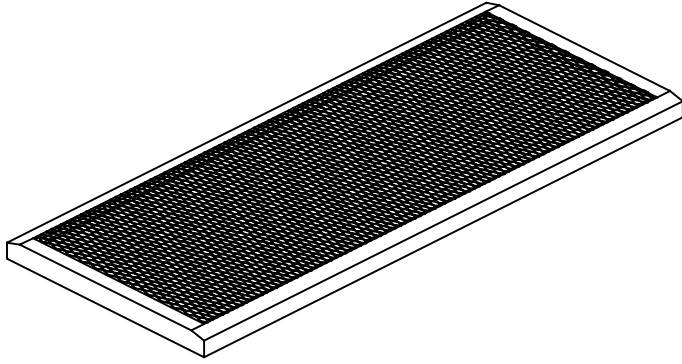
WEBCOAT PRODUCTS  
P.O. BOX 3160  
McALESTER, OKLAHOMA 74501  
1-800-505-5101  
FAX: (918)426-5924  
E-MAIL: WEBCOAT@WEBCOAT.COM

Please take the time to locate and identify each part. Assemble the units on a smooth flat surface. It is also helpful to lay the tops and seats on cardboard or a drop cloth to prevent scratching of the surface during assembly. All parts have been pre-cut and pre-drilled for ease of assembly. All holes are slotted to allow for easy assembly and for final levelling of tops and seats to frames. Fully assemble all parts without totally tightening nuts and bolts. After all assembled go back and retighten nuts to bolts. DO NOT OVER TIGHTEN NUTS TO BOLTS. Over tightened nuts can crack the plastisol coating. All the necessary quantities of parts required are listed in this assembly instructions.

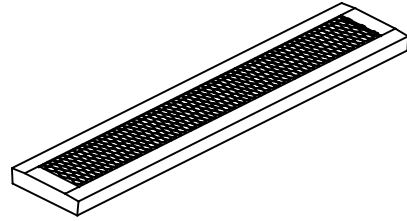
DO NOT BEGIN ASSEMBLY UNTIL YOU HAVE READ THESE INSTRUCTIONS AND ARE FAMILIAR WITH THE PARTS.



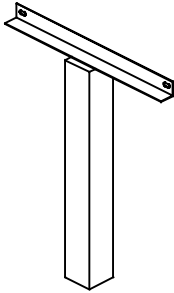
# PARTS IDENTIFICATION



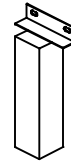
(A) 10' INFHDCP TOP



(B) 8' INFHDCP SEAT



(C) TOP POST



(D) SEAT POST

## PARTS LIST

ITEM	PART#	DESCRIPTION	QTY.
A	TT10INFHDCP	10' INFHDCP TOP	1
B	S8INFHDCP	8' INFHDCP SEAT	2
C	F48	4" SQ. TOP POST	2
D	F30	4" SQ. SEAT POST	4

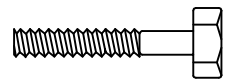
ITEM	HARDWARE DESCRIPTION	QTY.
HW1	5/16" X 18 NYL LOCKNUTS	12
HW2	5/16" X 18GA CAP BOLTS	12
HW3	5/16" FLAT WASHERS	24
HW4	BOLT GUARDS	12

ASSEMBLY TOOLS REQUIRED  
2- 1/2" WRENCHES

## HARDWARE IDENTIFICATION



(HW1) 5/16" X 18  
NYL LOCKNUTS



(HW2) 5/16" X 18  
GAUGE CAP BOLTS



(HW3) 5/16"  
FLAT WASHERS



(HW4) BOLT  
GUARDS

# ASSEMBLY PROCEDURES

## STEP 1

LAY TOP AND SEATS FACE DOWN ON A SMOOTH FLAT SURFACE.  
**TO PREVENT DAMAGE, DO NOT DRAG PRODUCT.**

## STEP 2

ATTACH FRAME TO TOP BY MEANS OF FOUR 5/16" X 1 1/2" BOLTS, EIGHT FLAT WASHERS AND AND FOUR 5/16" LOCK NUTS. REPEAT FOR EACH OF THE SEATS.  
**Hand tighten only at this time.**

## STEP 3

CAREFULLY TURN TABLE RIGHT SIDE UP.

## STEP 4

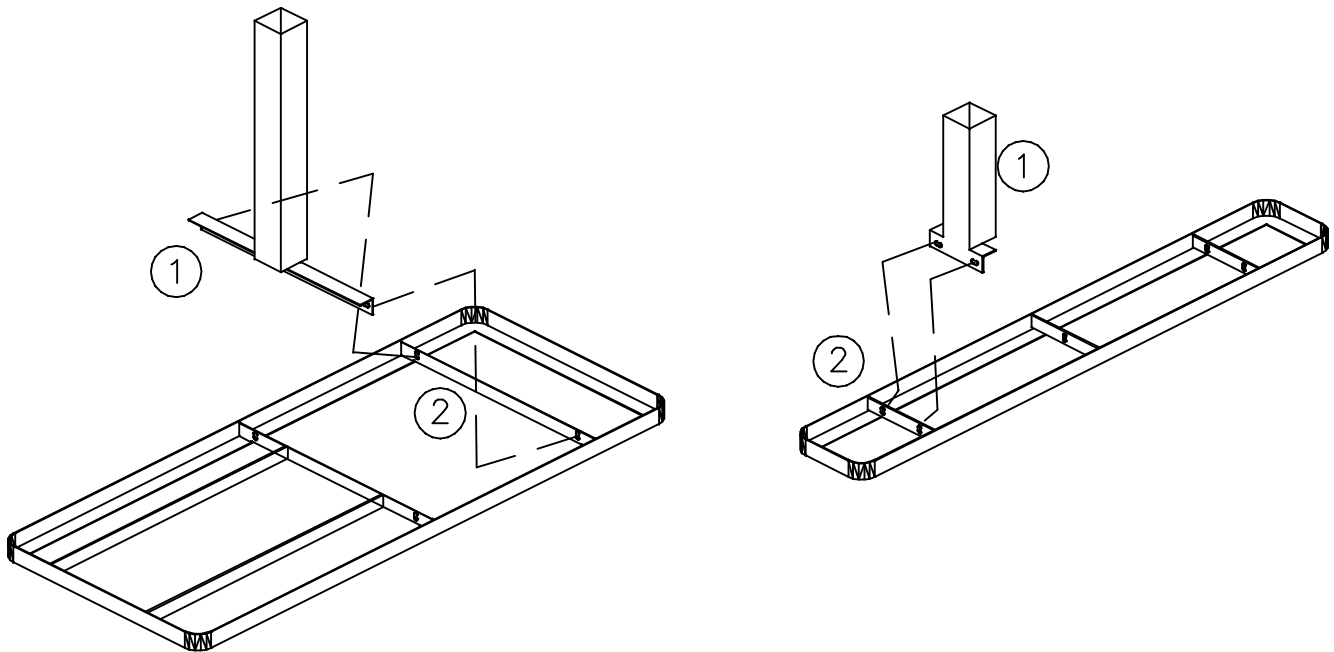
FOLLOWING THE POST PLACEMENT DIAGRAM BELOW: DIG TWO PARALLEL HOLES APPROXIMATELY 24" DEEP X 12" ROUND.  
 SET TOP POSTS IN HOLES; MAKING SURE THAT THE OUTSIDE POSTS' ANGLE IRONS ARE FACING EACH OTHER. PROP IN A PLUMB AND LEVEL POSITION.

## STEP 5

ON EACH SIDE OF THE TABLE POSTS, DIG TWO PARALLEL HOLES APPROXIMATELY 24" DEEP BY 12" ROUND, AND 25 1/2" FROM CENTER OF EACH TABLE POST.  
 SET SEAT POSTS IN HOLES; MAKING SURE THAT THE OUTSIDE POSTS' ANGLE IRONS ARE FACING EACH OTHER. PROP IN A PLUMB AND LEVEL POSITION. POUR ALL CONCRETE AND LET STAND FOR 24 HOURS BEFORE COMPLETING THESE ASSEMBLY INSTRUCTIONS.

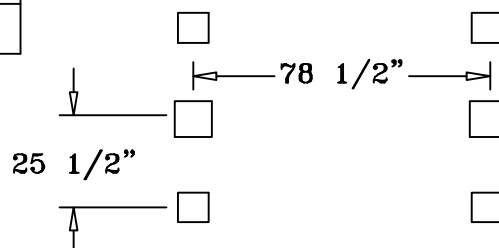
## STEP 6

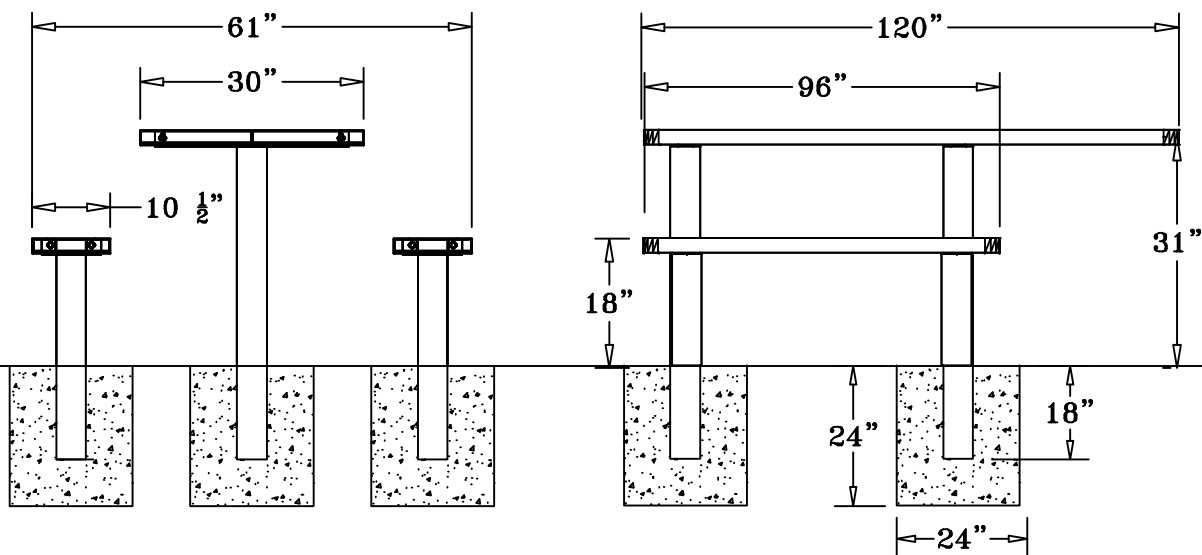
NOW THAT ALL PARTS ARE ASSEMBLED SQUARE AND ALIGN ALL PARTS OF THE UNIT THEN TIGHTEN ALL NUTS ON BOLTS SECURELY. **DO NOT OVER TIGHTEN AS THIS WILL CAUSE THE PLASTISOL COATING TO CRACK.**



1	CAP. BOLT & WASHER
2	WASHER & LOCK NUT

POST PLACEMENT DIAGRAM





## SPECIFICATIONS

10' POLY VINYL COATED EXPANDED METAL TABLE TOP WITH TWO UNATTACHED 96" X 10 1/2" SEATS. TOP AND SEATS HAVE ANGLED SLOPING EDGES. FRAME IS INGROUND MOUNT PEDESTAL DESIGN..

COATED WITH A 1/8" TO 1/4" THICK PLASTISOL ULTRAVIOLET STABILIZED VINYL COATING FUSED AND BAKED TO A 90% GLOSS.

TABLE HEIGHT 31" APPROXIMATELY. SEAT HEIGHT IS 18" APPROXIMATELY. TOTAL OVERALL DIMENSIONS ARE 120" X 61" APPROXIMATELY.

TOP AND SEATS ARE MADE WITH HEAVY DUTY 3/4" #9 EXPANDED METAL INSIDE OF A 2" X 2" X 1/8" ANGLE IRON FRAME. ALL CENTER BRACES ARE MADE FROM 1/4" X 1 1/2" FLAT STEEL.

UNDER FRAMES FOR TOP AND SEATS ARE MADE OUT OF 4" SQ. TUBING POSTS WITH SURFACE MOUNT PLATES ON THE BOTTOMS. THEY ARE THEN POWDER COATED WITH A POLYESTER ELECTROSTATIC PAINT.

ALL HARDWARE IS NON-CORROSIVE.  
WEIGHT FOR THE T10INFHDCP4-4S IS 427 LBS.

## MAINTENANCE

To maintain luster it is recommended to wash, rinse, and dry the units after prolonged use. Check for loose bolts and nuts and tighten as needed. Contact the factory for genuine Webcoat part replacements if needed.