



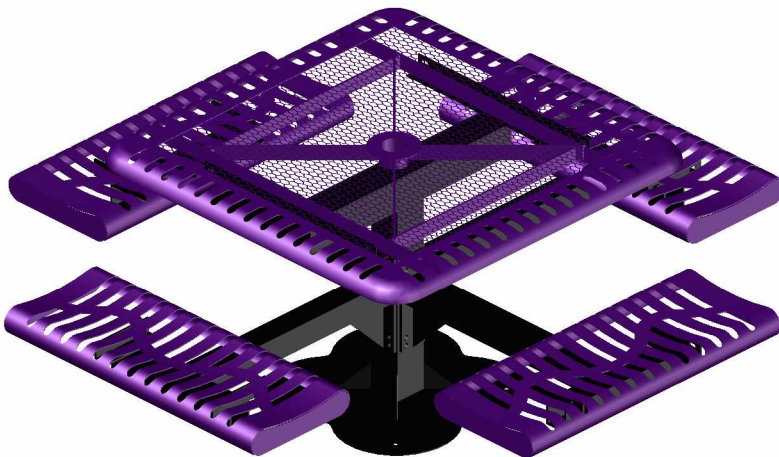
T46CLASSPEDSM

46" CLASSIC STYLE
PEDESTAL TABLE
SURFACE MOUNT DESIGN

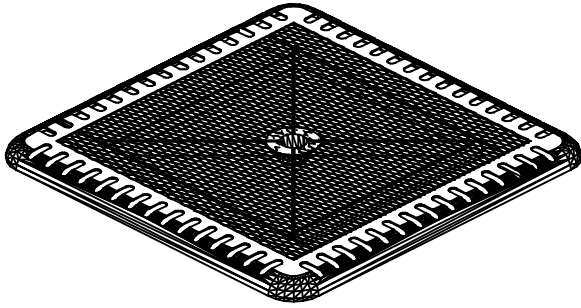
WEBCOAT PRODUCTS
P.O. BOX 3160
McALESTER, OKLAHOMA 74501
1-800-505-5101
FAX: (918)426-5924
E-MAIL: WEBCOAT@WEBCOAT.COM

Please take the time to locate and identify each part. Assemble the units on a smooth flat surface. It is also helpful to lay the tops and seats on cardboard or a drop cloth to prevent scratching of the surface during assembly. All parts have been pre-cut and pre-drilled for ease of assembly. All holes are slotted to allow for easy assembly and for final levelling of tops and seats to frames. Fully assemble all parts without totally tightening nuts and bolts. After all assembled go back and retighten nuts to bolts. DO NOT OVER TIGHTEN NUTS TO BOLTS. Over tightened nuts can crack the plastisol coating. All the necessary quantities of parts required are listed in this assembly instructions.

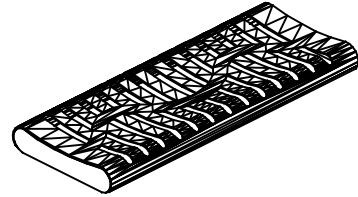
DO NOT BEGIN ASSEMBLY UNTIL YOU HAVE READ THESE INSTRUCTIONS AND ARE FAMILIAR WITH THE PARTS.



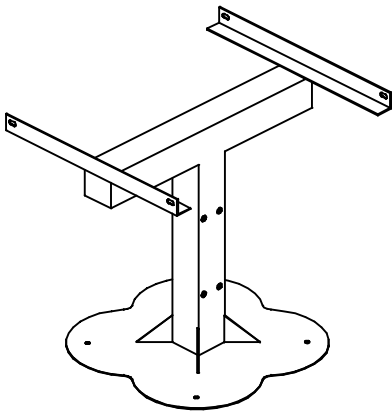
PARTS IDENTIFICATION



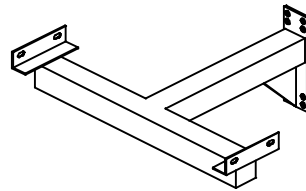
(A) 46" SQ. CLASSPED TOP



(B) 38" CLASSPED SEAT



(C) CENTER POST



(D) PEDESTAL ARMS

PARTS LIST

| ITEM | PART# | DESCRIPTION | QTY. |
|------|--------------|--------------------|------|
| A | TT46CLASSPED | 46" SQ. CLASS. TOP | 1 |
| B | S38CLASSPED | 38" CLASS SEAT | 4 |
| C | F46PEDCPM | CENTER POST | 1 |
| D | F46PEDARM | PEDESTAL ARM | 4 |

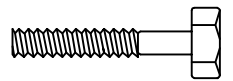
| ITEM | HARDWARE DESCRIPTION | QTY. |
|------|-------------------------|------|
| HW1 | 5/16" X 18 NYL LOCKNUTS | 20 |
| HW2 | 5/16" X 18GA CAP BOLTS | 20 |
| HW3 | 5/16" FLAT WASHERS | 40 |
| HW4 | BOLT GUARDS | 20 |
| HW5 | 5/8" BOLTS | 8 |
| HW6 | 5/8" NUTS | 8 |

ASSEMBLY TOOLS REQUIRED
2- 1/2" WRENCHES

HARDWARE IDENTIFICATION



(HW1) 5/16" X 18
NYL LOCKNUTS



(HW2) 5/16" X 18
GAUGE CAP BOLTS



(HW5) 5/8" NUTS



(HW3) 5/16"
FLAT WASHERS



(HW4) BOLT
GUARDS



(HW6) 5/8" BOLTS

ASSEMBLY PROCEDURES

STEP 1

MOUNT CENTER POST TO SMOOTH LEVEL SURFACE.
SURFACE MOUNTING HARDWARE NOT INCLUDED.

STEP 2

BOLT THE 3 ARMS TO THE CENTER PEDESTAL BY MEANS OF EIGHT 5/8" X 5 1/2" BOLTS AND EIGHT 5/8" NYLOCK NUTS. Tighten bolts up tight.

STEP 3

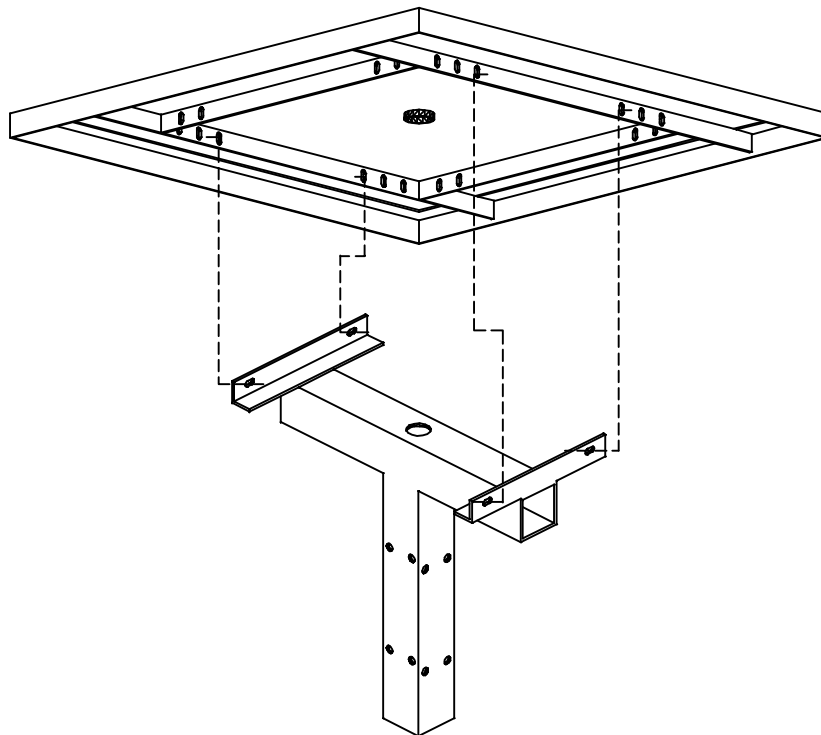
MOUNT TOP ON CENTER PEDESTAL POST BY MATCHING UP THE HOLES ON BRACES OF THE TOP TO THE HOLES IN THE 2" x 2" ANGLE IRON ON THE POST. MOUNT BY MEANS OF FOUR 5/16" X 1 1/2" HEXBOLTS, EIGHT 5/16" FLAT WASHERS, AND FOUR 5/16" NYLOCK NUTS. Tighten bolts up tight.

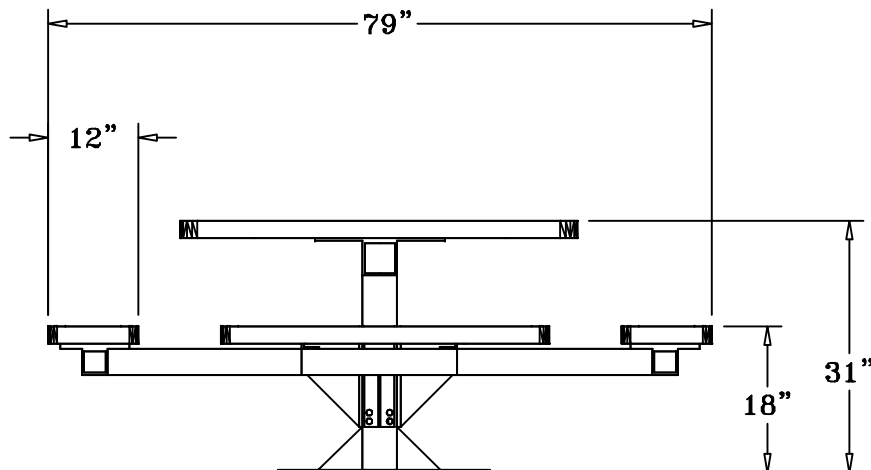
STEP 4

SET EACH OF THE THREE SEATS ON THE SEAT BRACKETS OF THE PEDESTAL ARMS. MATCHING UP THE FOUR HOLES UNDER THE SEATS WITH THE FOUR HOLES ON THE ANGLE IRON BRACE OF THE ARMS. MOUNT BY MEANS OF TWELVE 5/16" X 1 1/2" HEXBOLTS, TWENTY FOUR 5/16" FLAT WASHERS, AND TWELVE 5/16" NYLOCK NUTS.

STEP 5

TIGHTEN ALL NUTS ON BOLTS AND PLACE BOLT GUARDS ON ALL BOLTS. DO NOT OVER TIGHTEN AS THIS COULD CAUSE THE PLASTISOL COATING TO CRACK.





SPECIFICATIONS

46" SQ. PRECISION PUNCHED STEEL TABLE WITH FOUR ATTACHED 38" X 12" SEATS. ALL EDGES AND CORNERS ARE ROLLED. FRAME IS SURFACE MOUNT PEDESTAL DESIGN.

COATED WITH A 1/8" TO 1/4" THICK PLASTISOL ULTRAVIOLET STABILIZED VINYL COATING FUSED AND BAKED TO A 90% GLOSS.

TABLE HEIGHT IS 31" APPROXIMATELY. SEAT HEIGHT IS 18" APPROXIMATELY. TOTAL OVERALL SQUARED DIMENSION IS 79".

TOP AND SEATS ARE MADE OF 11GAGE PUNCHED STEEL. ALL OF THE EDGES OF THE VINYL COATED TOP AND SEATS ARE ROLLED TO A 2" ϕ TO FORM A SMOOTH ROUNDED EDGE. A 1/4" X 1 1/2" STEEL BRACING IS WELDED TO THE UNDERSIDE FOR SUPPORT.

FRAME IS A SINGLE 4" X 4" PEDESTAL MOUNTED TO THE CENTER OF THE TABLE TOP. EXTENDING OUT FROM THE 4" SQUARE TUBING ARE FOUR 3" SQUARE TUBING ARMS THAT THE SEATS ARE MOUNTED TO. COATED WITH A BAKED ON POLYESTER POWDER COAT FINISH.

ALL HARDWARE IS NON-CORROSIVE.

WEIGHT FOR THE T46CLASSPEDSM IS 398 LBS.

MAINTENANCE

To maintain luster it is recommended to wash, rinse, and dry the units after prolonged use. Check for loose bolts and nuts and tighten as needed. Contact the factory for genuine Webcoat part replacements if needed.