



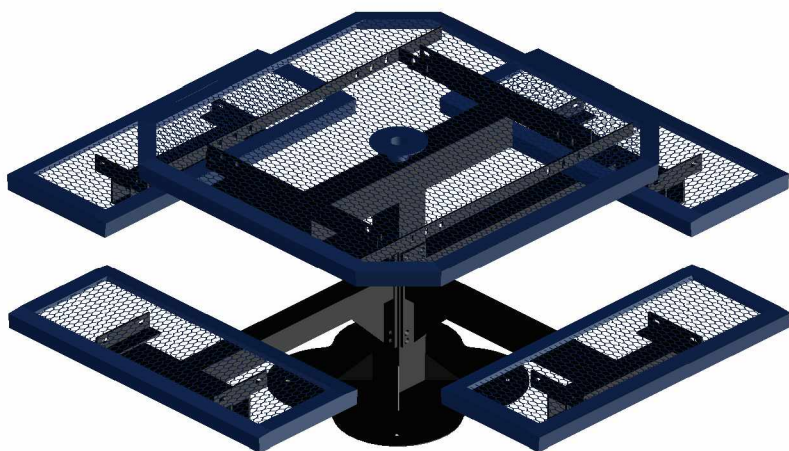
# T46INFPEDSM

46" INFINITY STYLE  
PEDESTAL TABLE  
SURFACE MOUNT DESIGN

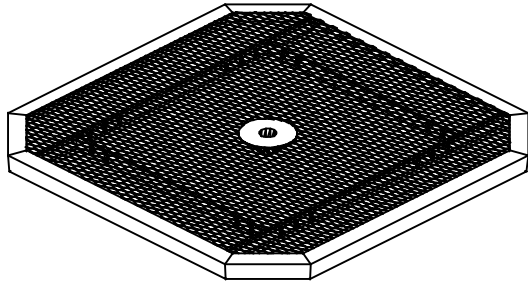
WEBCOAT PRODUCTS  
P.O. BOX 3160  
McALESTER, OKLAHOMA 74501  
1-800-505-5101  
FAX: (918)426-5924  
E-MAIL: WEBCOAT@WEBCOAT.COM

Please take the time to locate and identify each part. Assemble the units on a smooth flat surface. It is also helpful to lay the tops and seats on cardboard or a drop cloth to prevent scratching of the surface during assembly. All parts have been pre-cut and pre-drilled for ease of assembly. All holes are slotted to allow for easy assembly and for final levelling of tops and seats to frames. Fully assemble all parts without totally tightening nuts and bolts. After all assembled go back and retighten nuts to bolts. DO NOT OVER TIGHTEN NUTS TO BOLTS. Over tightened nuts can crack the plastisol coating. All the necessary quantities of parts required are listed in this assembly instructions.

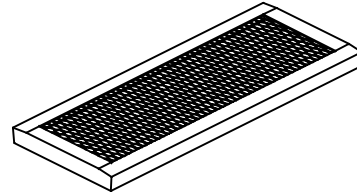
DO NOT BEGIN ASSEMBLY UNTIL YOU HAVE READ THESE INSTRUCTIONS AND ARE FAMILIAR WITH THE PARTS.



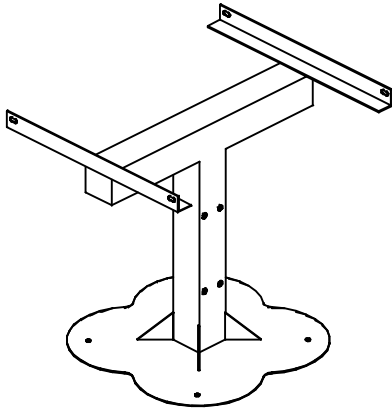
# PARTS IDENTIFICATION



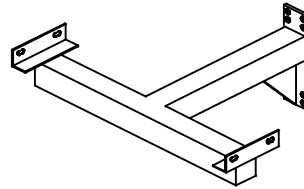
(A) 46" INFPEL TOP



(B) 38" INFPEL SEAT



(C) CENTER POST



(D) PEDESTAL ARMS

## PARTS LIST

ITEM	PART#	DESCRIPTION	QTY.
A	TT46INF	46" SQ. INF. TOP	1
B	S38INF	38" INF SEAT	4
C	F46PEDCPSM	CENTER POST	1
D	F46PEDARM	PEDESTAL ARM	4

ITEM	HARDWARE DESCRIPTION	QTY.
HW1	5/16" X 18 NYL LOCKNUTS	24
HW2	5/16" X 18GA CAP BOLTS	24
HW3	5/16" FLAT WASHERS	48
HW4	BOLT GUARDS	24
HW5	5/8" BOLTS	8
HW6	5/8" NUTS	8

ASSEMBLY TOOLS REQUIRED  
2- 1/2" WRENCHES

## HARDWARE IDENTIFICATION



(HW1) 5/16" X 18  
NYL LOCKNUTS



(HW2) 5/16" X 18  
GAUGE CAP BOLTS



(HW5) 5/8" NUTS



(HW3) 5/16"  
FLAT WASHERS



(HW4) BOLT  
GUARDS



(HW6) 5/8" BOLTS

# ASSEMBLY PROCEDURES

## STEP 1

MOUNT CENTER POST TO SMOOTH LEVEL SURFACE.  
SURFACE MOUNTING HARDWARE NOT INCLUDED.

## STEP 2

BOLT THE 3 ARMS TO THE CENTER PEDESTAL BY MEANS OF EIGHT 5/8" X 5 1/2" BOLTS AND EIGHT 5/8" NYLOCK NUTS. Tighten bolts up tight.

## STEP 3

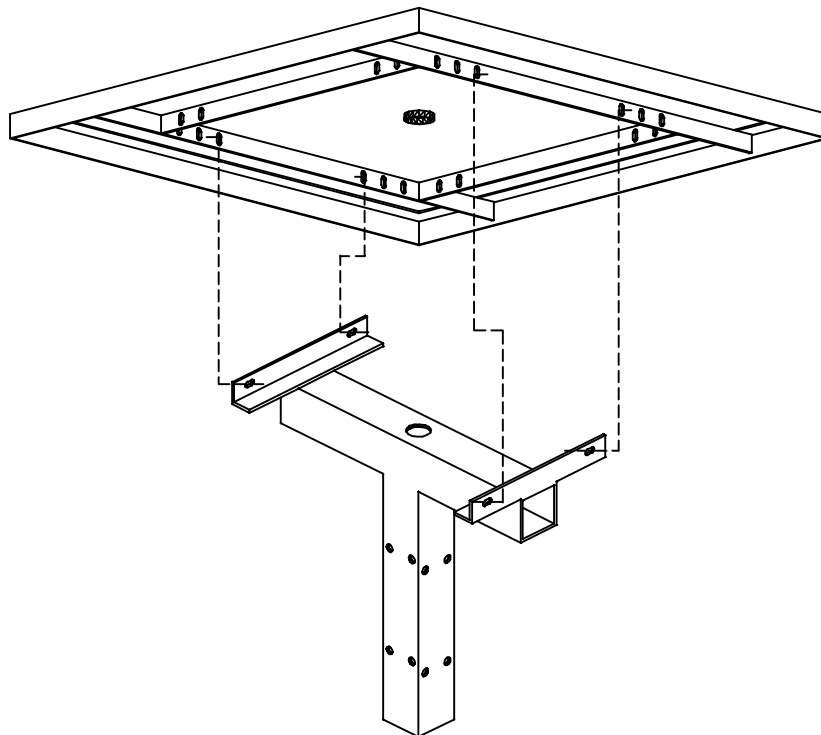
MOUNT TOP ON CENTER PEDESTAL POST BY MATCHING UP THE HOLES ON BRACES OF THE TOP TO THE HOLES IN THE 2" x 2" ANGLE IRON ON THE POST. MOUNT BY MEANS OF FOUR 5/16" X 1 1/2" HEXBOLTS, EIGHT 5/16" FLAT WASHERS, AND FOUR 5/16" NYLOCK NUTS. Tighten bolts up tight.

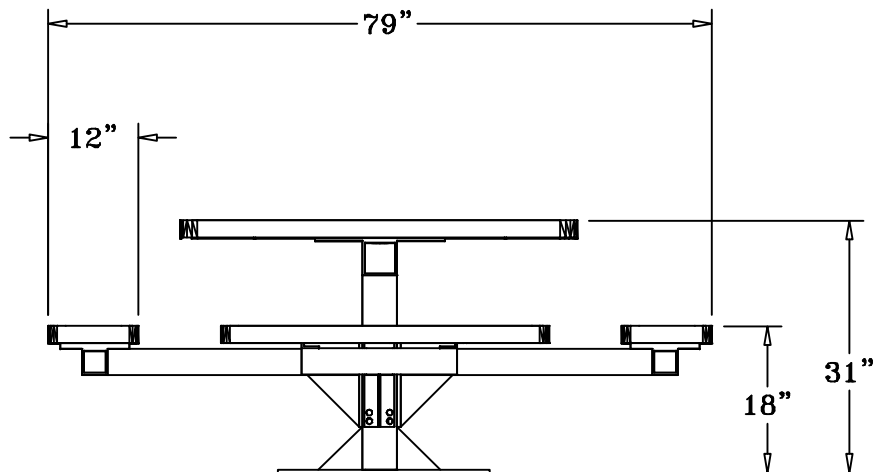
## STEP 4

SET EACH OF THE THREE SEATS ON THE SEAT BRACKETS OF THE PEDESTAL ARMS. MATCHING UP THE FOUR HOLES UNDER THE SEATS WITH THE FOUR HOLES ON THE ANGLE IRON BRACE OF THE ARMS. MOUNT BY MEANS OF TWLEVE 5/16" X 1 1/2" HEXBOLTS, TWENTY FOUR 5/16" FLAT WASHERS, AND TWLEVE 5/16" NYLOCK NUTS.

## STEP 5

TIGHTEN ALL NUTS ON BOLTS AND PLACE BOLT GUARDS ON ALL BOLTS. DO NOT OVER TIGHTEN AS THIS COULD CAUSE THE PLASTISOL COATING TO CRACK.





## SPECIFICATIONS

46" SQ. EXPANDED METAL TABLE WITH FOUR ATTACHED 38" X 12" SEATS. TOP AND SEATS HAVE SLOPED EDGES. FRAME IS SURFACE MOUNT PEDESTAL DESIGN.

COATED WITH A 1/8" TO 1/4" THICK PLASTISOL ULTRAVIOLET STABILIZED VINYL COATING FUSED AND BAKED TO A 90% GLOSS.

TABLE HEIGHT IS 31" APPROXIMATELY. SEAT HEIGHT IS 18" APPROXIMATELY. TOTAL OVERALL SQUARED DIMENSION IS 79".

TOP AND SEATS ARE MADE WITH HEAVY DUTY 3/4" #9 EXPANDED METAL INSIDE OF A 2" X 2" X 1/8" ANGLE IRON FRAME. ALL CENTER BRACES ARE MADE FROM 1/4" X 1 1/2" FLAT STEEL.

FRAME IS A SINGLE 4" X 4" PEDESTAL MOUNTED TO THE CENTER OF THE TABLE TOP. EXTENDING OUT FROM THE 4" SQUARE TUBING ARE FOUR 3" SQUARE TUBING ARMS THAT THE SEATS ARE MOUNTED TO. COATED WITH A BAKED ON POLYESTER POWDER COAT FINISH.

ALL HARDWARE IS NON-CORROSIVE.

WEIGHT FOR THE T46INFPEDSM IS 361 LBS.

## MAINTENANCE

To maintain luster it is recommended to wash, rinse, and dry the units after prolonged use. Check for loose bolts and nuts and tighten as needed. Contact the factory for genuine Webcoat part replacements if needed.