



# T46INNV-3

46" SQ. INNOVATED STYLE  
3 SEAT TABLE  
PORTABLE DESIGN

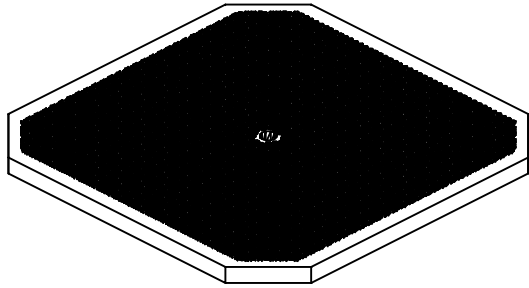
WEBCOAT PRODUCTS  
P.O. BOX 3160  
McALESTER, OKLAHOMA 74501  
1-800-505-5101  
FAX: (918)426-5924  
E-MAIL: WEBCOAT@WEBCOAT.COM

Please take the time to locate and identify each part. Assemble the units on a smooth flat surface. It is also helpful to lay the tops and seats on cardboard or a drop cloth to prevent scratching of the surface during assembly. All parts have been pre-cut and pre-drilled for ease of assembly. All holes are slotted to allow for easy assembly and for final levelling of tops and seats to frames. Fully assemble all parts without totally tightening nuts and bolts. After all assembled go back and retighten nuts to bolts. DO NOT OVER TIGHTEN NUTS TO BOLTS. Over tightened nuts can crack the plastisol coating. All the necessary quantities of parts required are listed in this assembly instructions.

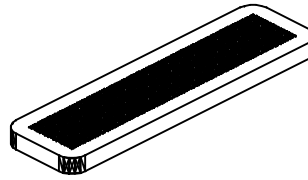
DO NOT BEGIN ASSEMBLY UNTIL YOU HAVE READ THESE INSTRUCTIONS AND ARE FAMILIAR WITH THE PARTS.



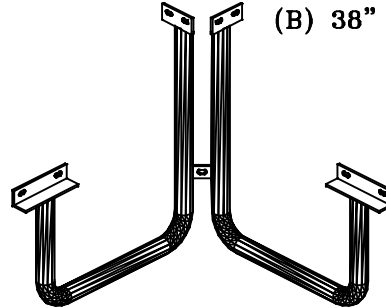
# PARTS IDENTIFICATION



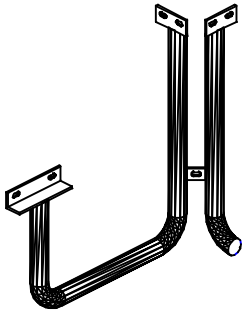
(A) 46" SQ INNV TOP



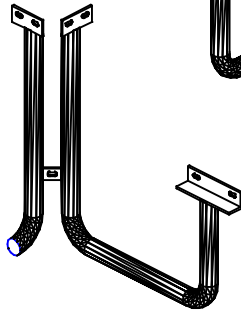
(B) 38" INNV SEAT



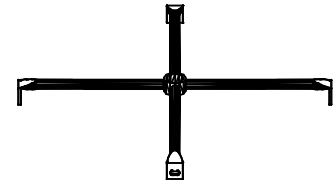
(C) CORNER LEGS



(D) CORNER LEGS-L



(E) CORNER LEGS-R



(F) CROSS BRACE

## PARTS LIST

ITEM	PART#	DESCRIPTION	QTY.
A	TT46SQINNV	46" SQ. INNV TOP	1
B	S38INNV	38" INNV SEAT	3
C	FSQ	CORNER LEGS	2
D	FSQ-L	CORNER LEGS-L	1
E	FSQ-R	CORNER LEGS-R	1
F	CB	CROSS BRACE	1

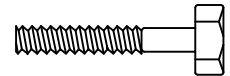
ITEM	HARDWARE DESCRIPTION	QTY.
HW1	5/16" X 18 NYL LOCKNUTS	24
HW2	5/16" X 18GA CAP BOLTS	24
HW3	5/16" FLAT WASHERS	48
HW4	BOLT GUARDS	24

ASSEMBLY TOOLS REQUIRED  
2- 1/2" WRENCHES

## HARDWARE IDENTIFICATION



(HW1) 5/16" X 18 NYL LOCKNUTS



(HW2) 5/16" X 18 GAUGE CAP BOLTS



(HW3) 5/16" FLAT WASHERS



(HW4) BOLT GUARDS

# ASSEMBLY PROCEDURES

## STEP 1

LAY TOP UPSIDE DOWN ON A SMOOTH FLAT SURFACE. MOUNT ONE SET OF FRAMES TO EACH CORNER OF TABLE, SQUARED TO THE TOP. TABS WELDED ON FRAMES FOR CROSS BRACE MUST BE FACING EACH OTHER. ANGLE IRON ON FRAMES MUST BE BOLTED TO OUTSIDE OF BRACES ON TABLE TOP. FASTEN USING FOUR 5/16" X 1 1/2" CAP BOLTS, EIGHT 5/16" FLAT WASHERS AND FOUR 5/16" NYLOCK NUTS. HAND TIGHTEN ONLY AT THIS TIME.

## STEP 2

PLACE THE CROSS BRACE ON THE INSIDE OF THE BOTTOM OF SQUARE MADE BY THE FOUR CORNER LEGS, MATCHING HOLES ON THE ENDS TO THE HOLES IN THE TAB WELDED BETWEEN THE LEGS OF EACH CORNER. ATTACH WITH FOUR 5/16" X 1 1/2" CAP BOLTS, EIGHT FLAT WASHERS AND FOUR 5/16" NYLOCK NUTS. HAND TIGHTEN ONLY AT THIS TIME.

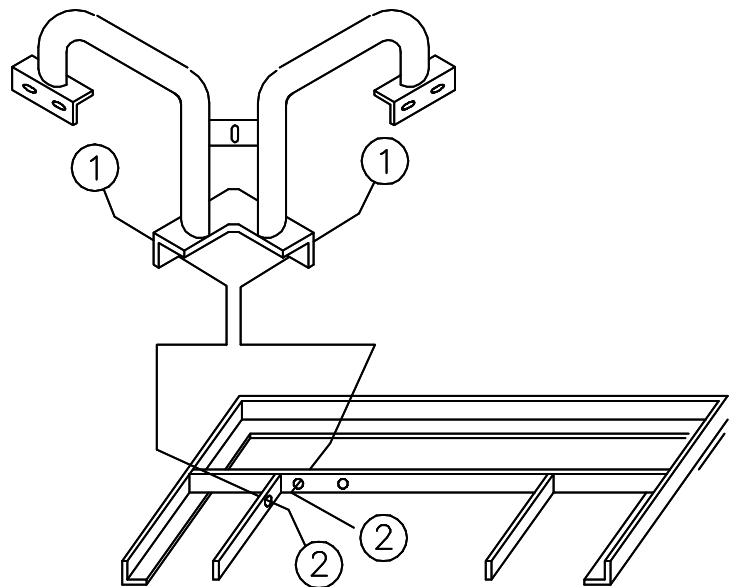
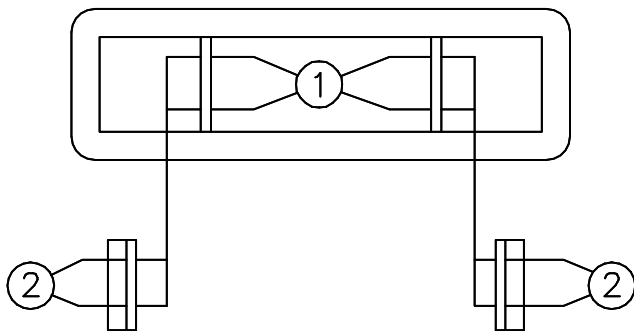
## STEP 3

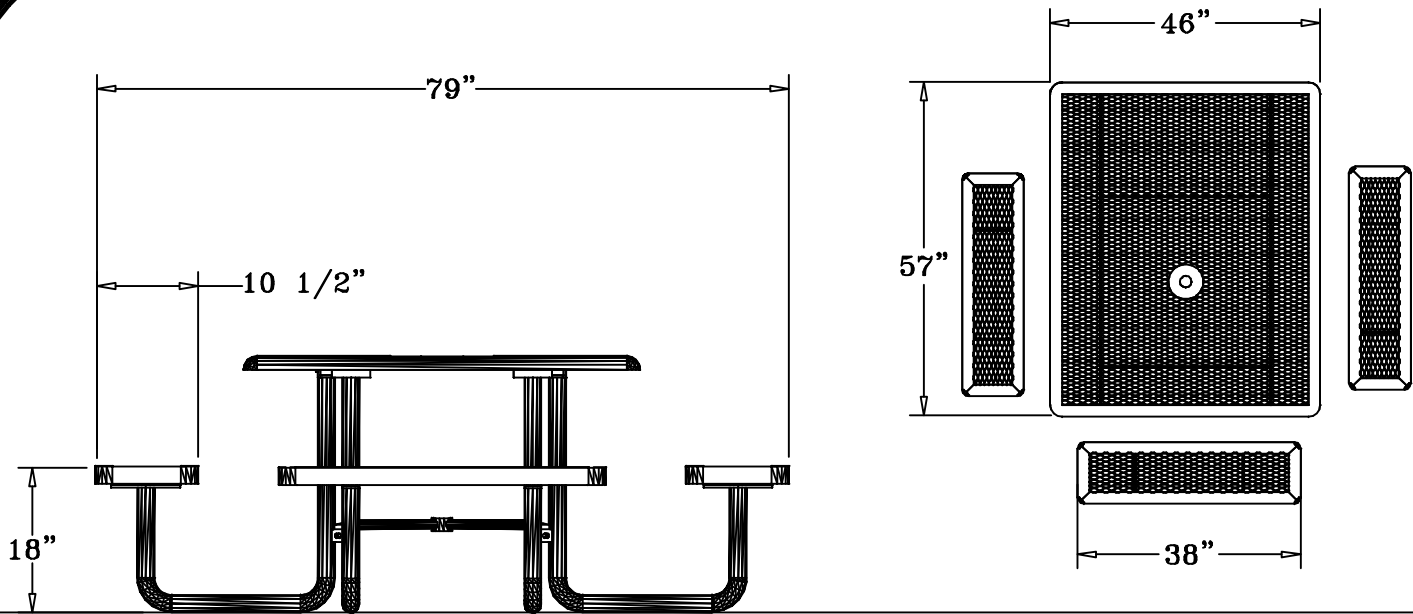
CAREFULLY SET TABLE UPRIGHT. ATTACH THE SEATS TO FRAMES BY MEANS OF FOUR 5/16" X 1 1/2" HEXBOLTS, EIGHT FLAT WASHERS AND FOUR SIXTEEN/64" NYLOCK NUTS. HAND TIGHTEN ONLY AT THIS TIME.

## STEP 4

TIGHTEN ALL BOLTS IN ALTERNATING PATTERNS TO KEEP THE FRAMES STRAIGHT UNDER THE TOPS AND SEATS AS YOU ARE TIGHTENING.

1	CAP BOLT & WASHER
2	WASHER & LOCK NUT





## SPECIFICATIONS

46" X 57" POLY VINYL COATED PUNCHED STEEL TOP WITH THREE ATTACHED 38" SEATS. ALL CORNERS ARE ROUNDED. THE FRAME IS PORTABLE DESIGN.

COATED WITH A 1/8" TO 1/4" THICK PLASTISOL ULTRAVIOLET STABILIZED VINYL COATING FUSED AND BAKED TO A 90% GLOSS.

TABLE HEIGHT 31" APPROXIMATELY. SEAT HEIGHT IS 18" APPROXIMATELY. TOTAL OVERALL SQUARED DIMENSION IS 79". SEATING CAPACITY IS 8 ADULTS.

TOP AND SEATS ARE MADE 3/8" X 9/16" PRECISION PUNCHED STEEL INSIDE OF A 2" X 2" X 1/8" ANGLE IRON FRAME. ALL CENTER BRACES ARE MADE FROM 1/4" X 1 1/2" FLAT STEEL.

FRAME IS A 2" GALVANIZED STEEL TUBING THAT IS GALVANIZED INSIDE AND OUT AND MEETS OR EXCEEDS THE YIELD AND TENSILE OF SCH 40 PIPE. CONSTRUCTED SO AS TO PROHIBIT RAIN WATER FROM COLLECTING AT GROUND LEVEL. COATED WITH A BAKED ON POLYESTER POWDER COAT FINISH.

THE CROSS BRACE IS MADE OF 1" GALV. STEEL TUBING.

ALL HARDWARE IS NON-CORROSIVE.  
WEIGHT FOR THE T46INN-3 IS 246 LB.

## MAINTENANCE

To maintain luster it is recommended to wash, rinse, and dry the units after prolonged use. Check for loose bolts and nuts and tighten as needed. Contact the factory for genuine Webcoat part replacements if needed.