



T46INNVPEDPOR-3

46" INNOVATED STYLE 3 SEAT PEDESTAL TABLE PORTABLE DESIGN

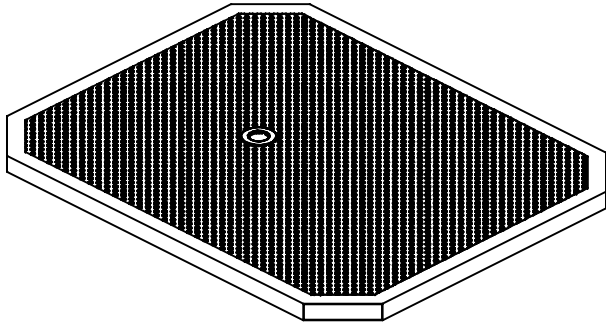
WEBCOAT PRODUCTS
P.O. BOX 3160
McALESTER, OKLAHOMA 74501
1-800-505-5101
FAX: (918)426-5924
E-MAIL: WEBCOAT@WEBCOAT.COM

Please take the time to locate and identify each part. Assemble the units on a smooth flat surface. It is also helpful to lay the tops and seats on cardboard or a drop cloth to prevent scratching of the surface during assembly. All parts have been pre-cut and pre-drilled for ease of assembly. All holes are slotted to allow for easy assembly and for final levelling of tops and seats to frames. Fully assemble all parts without totally tightening nuts and bolts. After all assembled go back and retighten nuts to bolts. DO NOT OVER TIGHTEN NUTS TO BOLTS. Over tightened nuts can crack the plastisol coating. All the necessary quantities of parts required are listed in this assembly instructions.

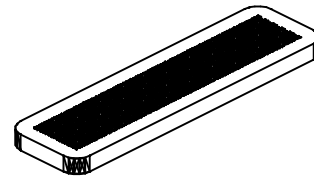
DO NOT BEGIN ASSEMBLY UNTIL YOU HAVE READ THESE INSTRUCTIONS AND ARE FAMILIAR WITH THE PARTS.



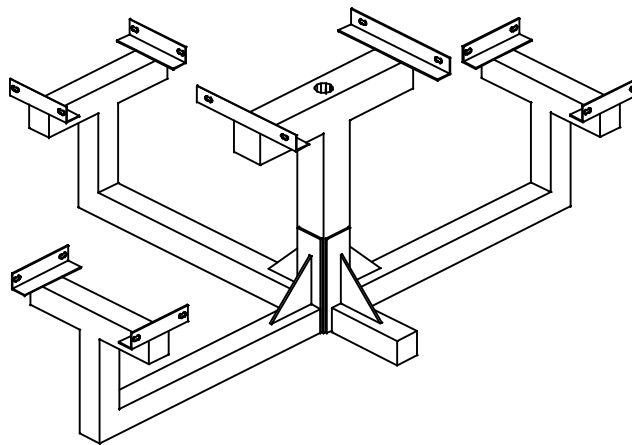
PARTS IDENTIFICATION



(A) 46" INN V TOP



(B) 38" INN V SEAT



(C) CENTER POST

PARTS LIST

ITEM	PART#	DESCRIPTION	QTY.
A	TT46INN V	46" INN V TOP	1
B	S38INN V	38" INN V SEAT	3
C	F46PEDPOR-3	PORTABLE PEDESTAL FRAME	1

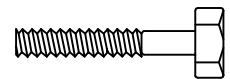
ITEM	HARDWARE DESCRIPTION	QTY.
HW1	5/16" X 18 NYL LOCKNUTS	16
HW2	5/16" X 18GA CAP BOLTS	16
HW3	5/16" FLAT WASHERS	32
HW4	BOLT GUARDS	16
HW5		
HW6		

ASSEMBLY TOOLS REQUIRED
2- 1/2" WRENCHES

HARDWARE IDENTIFICATION



(HW1) 5/16" X 18
NYL LOCKNUTS



(HW2) 5/16" X 18
GAUGE CAP BOLTS



(HW3) 5/16"
FLAT WASHERS



(HW4) BOLT
GUARDS

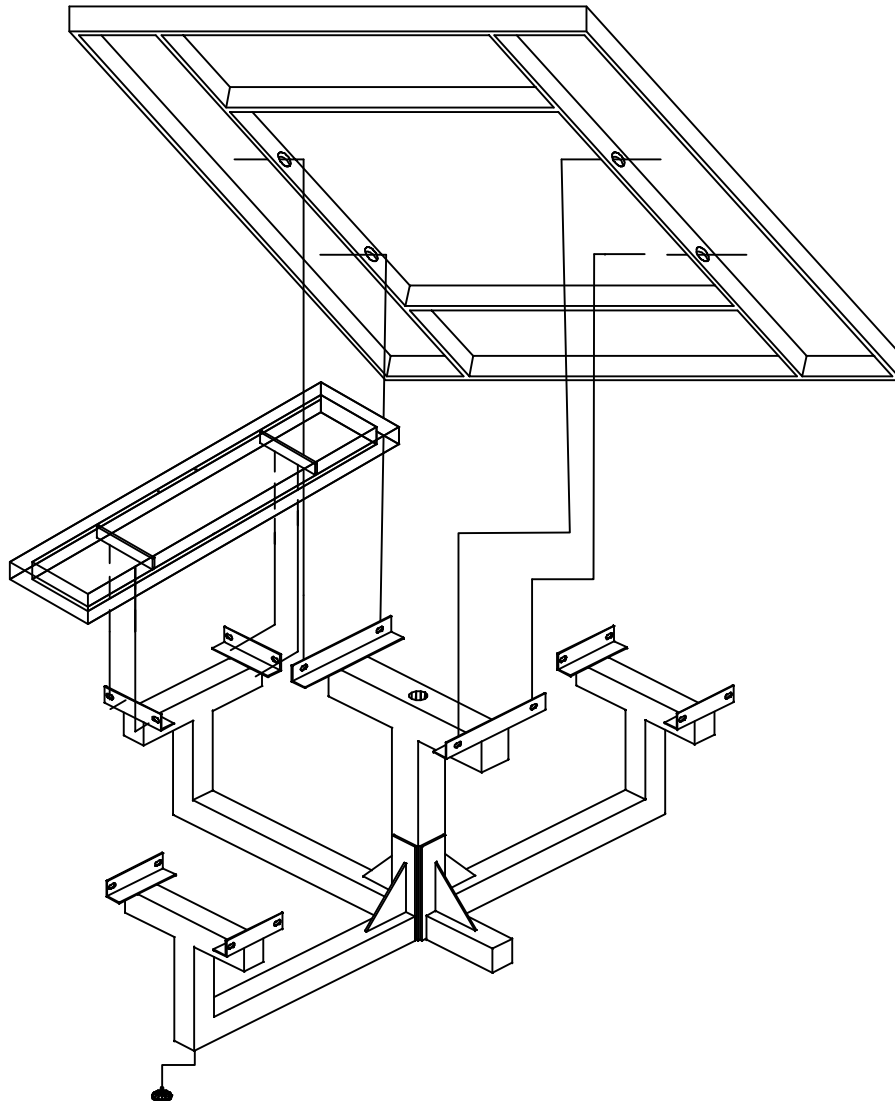
ASSEMBLY PROCEDURES

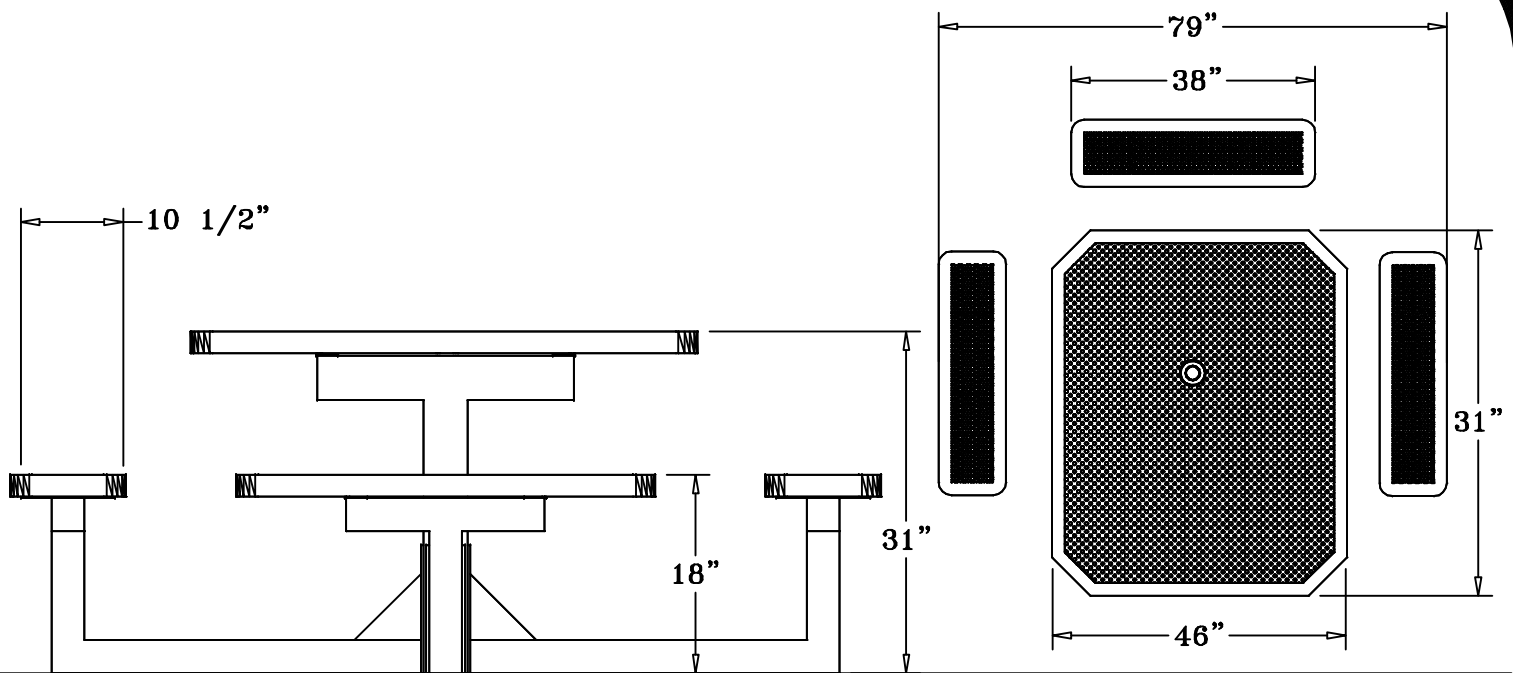
STEP 1

MOUNT TOP ON CENTER PEDESTAL POST BY MATCHING UP THE HOLES ON BRACES OF THE TOP TO THE HOLES IN THE 2" x 2" ANGLE IRON ON THE POST. PUT BOLTS IN WITH A WASHER ON EACH SIDE OF THE HOLE AND TIGHTEN NUT SNUGLY, BUT BE CAREFUL NOT TO OVER TIGHTEN AS THIS WILL CRACK THE PLASTISOL COATING.

STEP 2

SET EACH OF THE THREE SEATS ON THE SEAT BRACKET OF THE PEDESTAL ARMS. MATCHING UP THE FOUR ARMS UNDER THE SEATS WITH THE FOUR HOLES ON THE ANGLE IRON BRACES OF THE ARMS, THEN INSERT AND TIGHTEN THE BOLTS LIKE THE TOP IN STEP 1.





SPECIFICATIONS

46" X 57" POLY VINYL COATED STEEL TABLE TOP WITH THREE ATTACHED 38" X 10 1/2" SEATS. THE FRAME IS PORTABLE PEDESTAL DESIGN.

COATED WITH A 1/4" TO 1/8" THICK PLASTISOL ULTRAVIOLET STABILIZED VINYL COATING FUSED AND BAKED TO A 90% GLOSS.

TABLE HEIGHT 30" APPROXIMATELY. SEAT HEIGHT IS 18" APPROXIMATELY. TOTAL OVERALL SQUARED DIMENSION IS 79". SEATING CAPACITY IS 6 ADULTS.

TOP AND SEATS ARE MADE FROM 10GA 1/2" HOLE PUNCHED STEEL. ALL CENTER BRACES ARE MADE FROM 1/4" X 1 1/2" FLAT STEEL.

FRAME IS A SINGLE 4" X 4" PEDESTAL MOUNTED TO THE CENTER OF THE TABLE TOP EXTENDING 30" UNDER TOP WITH FOUR 3" SQ. TUBING ARMS EXTENDING OUT FROM THE 4" SQ. TUBING, THAT THE SEATS ARE MOUNTED TO. COATED WITH A BAKED ON POLYESTER POWDER COAT FINISH.

ALL HARDWARE IS NON-CORROSIVE. WEIGHT FOR THE T46INNVDPOR-3 IS 345 LBS.

MAINTENANCE

To maintain luster it is recommended to wash, rinse, and dry the units after prolonged use. Check for loose bolts and nuts and tighten as needed. Contact the factory for genuine Webcoat part replacements if needed.