



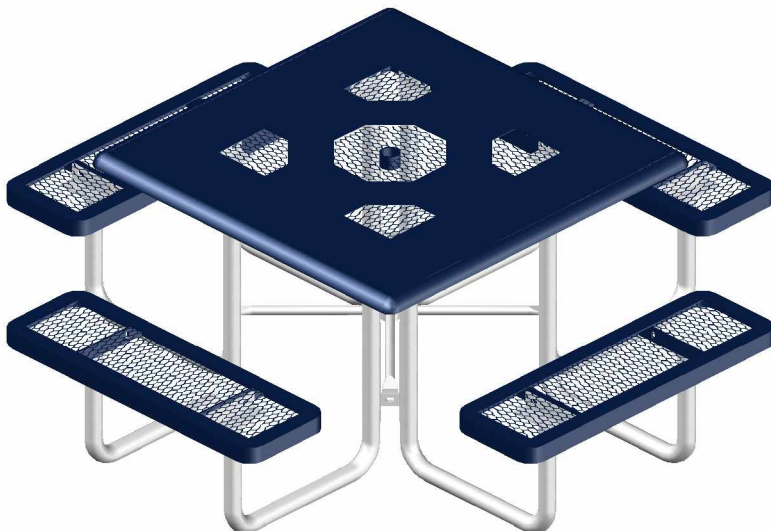
# T46KC

46" SQ. SEMI-SOLID STYLE TABLE  
PORTABLE DESIGN

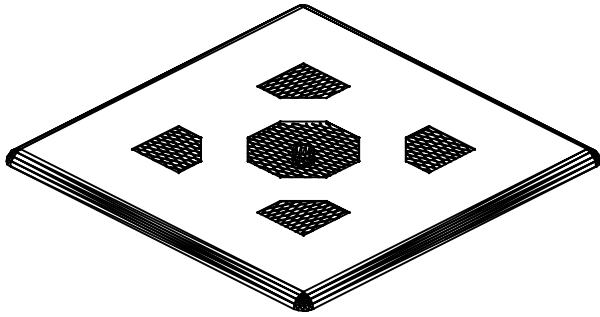
WEBCOAT PRODUCTS  
P.O. BOX 3160  
McALESTER, OKLAHOMA 74501  
1-800-505-5101  
FAX: (918)426-5924  
E-MAIL: WEBCOAT@WEBCOAT.COM

Please take the time to locate and identify each part. Assemble the units on a smooth flat surface. It is also helpful to lay the tops and seats on cardboard or a drop cloth to prevent scratching of the surface during assembly. All parts have been pre-cut and pre-drilled for ease of assembly. All holes are slotted to allow for easy assembly and for final levelling of tops and seats to frames. Fully assemble all parts without totally tightening nuts and bolts. After all assembled go back and retighten nuts to bolts. DO NOT OVER TIGHTEN NUTS TO BOLTS. Over tightened nuts can crack the plastisol coating. All the necessary quantities of parts required are listed in this assembly instructions.

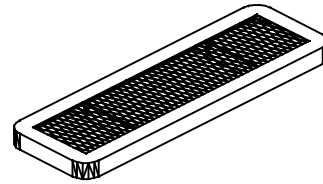
DO NOT BEGIN ASSEMBLY UNTIL YOU HAVE READ THESE INSTRUCTIONS AND ARE FAMILIAR WITH THE PARTS.



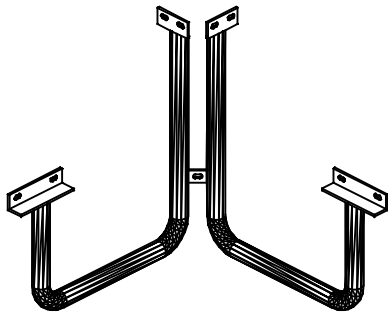
# PARTS IDENTIFICATION



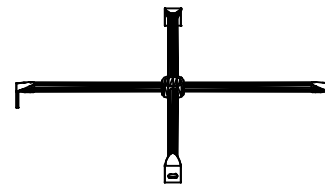
(A) 46" SQ KC TOP



(B) 38" RC SEAT



(C) CORNER LEGS



(D) CROSS BRACE

## PARTS LIST

ITEM	PART#	DESCRIPTION	QTY.
A	TT46SQKC	46" SQ. KC TOP	1
B	S38RC	38" RC SEAT	4
C	FSQ	CORNER LEGS	4
D	CB	CROSS BRACE	1

ITEM	HARDWARE DESCRIPTION	QTY.
HW1	5/16" X 18 NYL LOCKNUTS	28
HW2	5/16" X 18GA CAP BOLTS	28
HW3	5/16" FLAT WASHERS	56
HW4	BOLT GUARDS	28

ASSEMBLY TOOLS REQUIRED  
2- 1/2" WRENCHES

## HARDWARE IDENTIFICATION



(HW1) 5/16" X 18 NYL LOCKNUTS



(HW2) 5/16" X 18 GAUGE CAP BOLTS



(HW3) 5/16" FLAT WASHERS



(HW4) BOLT GUARDS

# ASSEMBLY PROCEDURES

## STEP 1

LAY TOP UPSIDE DOWN ON A SMOOTH FLAT SURFACE. ATTACH THE FOUR CORNER LEGS BY MEANS OF EIGHT 5/16" X 1 1/2" HEXBOLTS, SIXTEEN FLAT WASHERS AND EIGHT 5/16" NYLOCK NUTS.  
HAND TIGHTEN ONLY AT THIS TIME.

## STEP 2

PLACE THE CROSS BRACE ON THE INSIDE OF THE BOTTOM OF THE SQUARE MADE BY THE FOUR CORNER LEGS MATCHING THE HOLES ON THE ENDS OF THE SUPPORTS TO THE HOLES ON THE PUNCHED TAB THAT IS WELDED IN BETWEEN THE LEG OF EACH CORNER SET OF LEGS. HAND TIGHTEN ONLY AT THIS TIME.

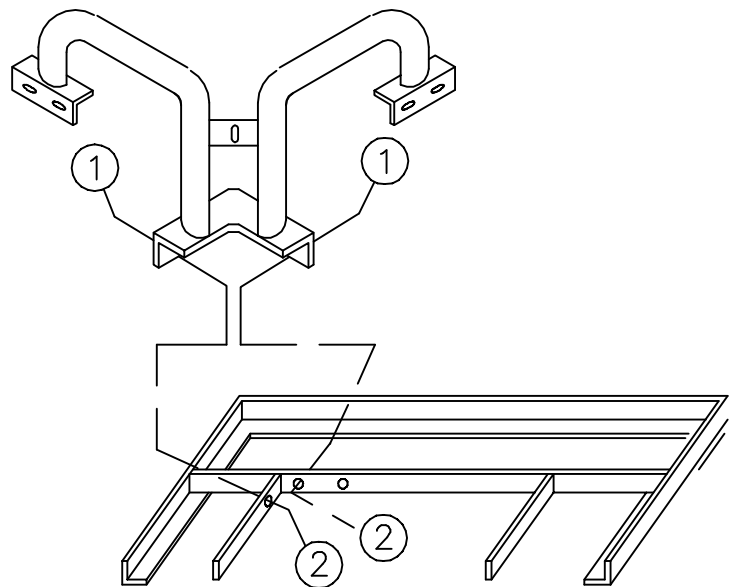
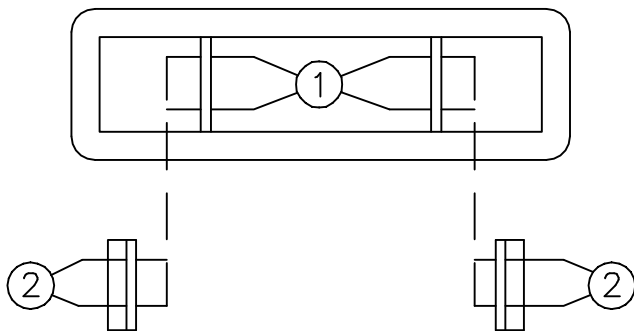
## STEP 3

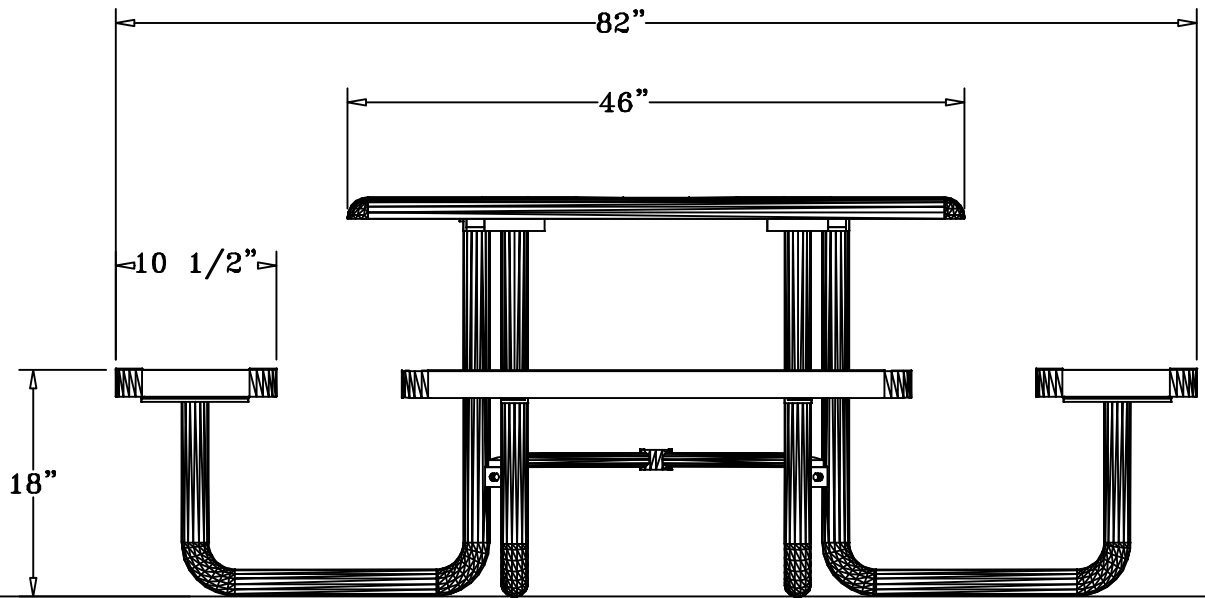
CAREFULLY SET TABLE UPRIGHT. ATTACH THE SEATS TO FRAMES BY MEANS OF SIXTEEN 5/16" X 1 1/2" HEXBOLTS, THIRTY TWO FLAT WASHERS AND SIXTEEN 5/16" NYLOCK NUTS.  
HAND TIGHTEN ONLY AT THIS TIME.

## STEP 4

TIGHTEN ALL BOLTS IN ALTERNATING PATTERNS TO KEEP THE FRAMES STRAIGHT UNDER THE TOPS AND SEATS AS YOU ARE TIGHTENING.

1	CAP BOLT & WASHER
2	WASHER & LOCK NUT





## SPECIFICATIONS

46" SQ. POLY VINYL COATED EXPANDED METAL TABLE TOP WITH FOUR ATTACHED 38" SEATS. ALL CORNERS ARE ROUNDED. THE FRAME IS PORTABLE DESIGN.

COATED WITH A 1/8" TO 1/4" THICK PLASTISOL ULTRAVIOLET STABILIZED VINYL COATING FUSED AND BAKED TO A 90% GLOSS.

TABLE HEIGHT 31" APPROXIMATELY. SEAT HEIGHT IS 18" APPROXIMATELY. TOTAL OVERALL SQUARED DIMENSION IS 82". SEATING CAPACITY IS 8 ADULTS. PLUS WHEELCHAIR ACCESS ON ONE SIDE.

TOP AND SEATS ARE MADE WITH HEAVY DUTY 3/4" #9 EXPANDED METAL INSIDE OF A 2" X 2" X 1/8" ANGLE IRON FRAME. ALL CENTER BRACES ARE MADE FROM 1/4" X 1 1/2" FLAT STEEL.

FRAME IS A 2" HEAVY GALVANIZED STEEL TUBING THAT IS GALVANIZED INSIDE AND OUT AND MEETS OR EXCEEDS THE YIELD AND TENSILE OF SCH 40 PIPE. CONSTRUCTED SO AS TO PROHIBIT RAIN WATER FROM COLLECTING AT GROUND LEVEL. COATED WITH A BAKED ON POLYESTER POWDER COAT FINISH.

THE CROSS BRACE IS MADE OF 1" GALV. STEEL TUBING.

ALL HARDWARE IS NON-CORROSIVE.  
WEIGHT FOR THE T46RC IS 253 LB.

## MAINTENANCE

To maintain luster it is recommended to wash, rinse, and dry the units after prolonged use. Check for loose bolts and nuts and tighten as needed. Contact the factory for genuine Webcoat part replacements if needed.