



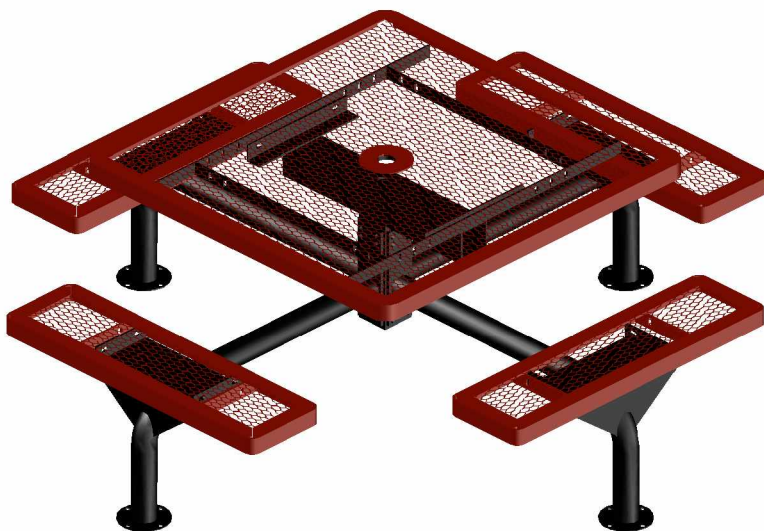
# T46WEBPSM

46" SQUARE REGAL STYLE  
PEDESTAL TABLE  
PORTABLE OR SURFACE MOUNT DESIGN

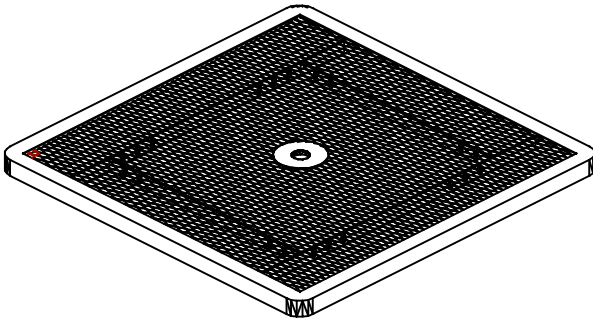
WEBCOAT PRODUCTS  
P.O. BOX 3160  
McALESTER, OKLAHOMA 74501  
1-800-505-5101  
FAX: (918)426-5924  
E-MAIL: WEBCOAT@WEBCOAT.COM

Please take the time to locate and identify each part. Assemble the units on a smooth flat surface. It is also helpful to lay the tops and seats on cardboard or a drop cloth to prevent scratching of the surface during assembly. All parts have been pre-cut and pre-drilled for ease of assembly. All holes are slotted to allow for easy assembly and for final levelling of tops and seats to frames. Fully assemble all parts without totally tightening nuts and bolts. After all assembled go back and retighten nuts to bolts. DO NOT OVER TIGHTEN NUTS TO BOLTS. Over tightened nuts can crack the plastisol coating. All the necessary quantities of parts required are listed in this assembly instructions.

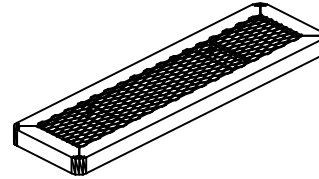
DO NOT BEGIN ASSEMBLY UNTIL YOU HAVE READ THESE INSTRUCTIONS AND ARE FAMILIAR WITH THE PARTS.



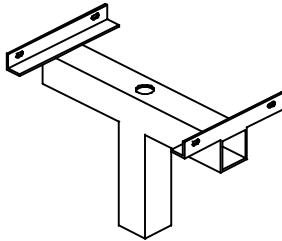
# PARTS IDENTIFICATION



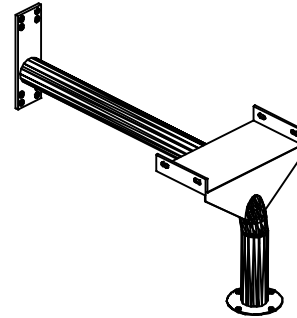
(A) 46" RC TOP



(B) 38" RC SEAT



(C) CENTER POST



(D) PEDESTAL ARMS

## PARTS LIST

ITEM	PART#	DESCRIPTION	QTY.
A	TT46RC	46" SQ. RC TOP	1
B	S38RC	38" RC SEAT	4
C	F46PEDCP	CENTER POST	1
D	F46WEBARMSM	PEDESTAL ARM	4

ITEM	HARDWARE DESCRIPTION	QTY.
HW1	5/16" X 18 NYL LOCKNUTS	20
HW2	5/16" X 18GA CAP BOLTS	20
HW3	5/16" FLAT WASHERS	40
HW4	BOLT GUARDS	20
HW5	5/8" BOLTS	8
HW6	5/8" NUTS	8

ASSEMBLY TOOLS REQUIRED  
2- 1/2" WRENCHES

## HARDWARE IDENTIFICATION



(HW1) 5/16" X 18  
NYL LOCKNUTS



(HW2) 5/16" X 18  
GAUGE CAP BOLTS



(HW5) 5/8" NUTS



(HW3) 5/16"  
FLAT WASHERS



(HW4) BOLT  
GUARDS



(HW6) 5/8" BOLTS

# ASSEMBLY PROCEDURES

## STEP 1

BOLT THE FOUR ARMS TO THE CENTER POST USING EIGHT 5/8" BOLTS AND EIGHT 5/8" NUTS,  
Hand tighten at this time.

## STEP 2

SET THE TOP ON THE CENTER POST ALIGNING HOLES IN TOP BRACES WITH HOLES IN THE ANGLE  
IRON ON CENTER POST. FASTEN WITH FOUR 5/16" BOLTS, EIGHT WASHERS AND FOUR 5/16" NUTS.  
Hand tighten at this time.

## STEP 3

SET SEATS ON THE SEAT BRACKETS OF THE ARMS. BRACES ON SEAT SHOULD  
SET TO THE OUTSIDE OF THE SEAT BRACKET ON THE ARM.  
FASTEN WITH FOUR 5/16" BOLTS, EIGHT WASHERS AND FOUR 5/16" NUTS PER SEAT.

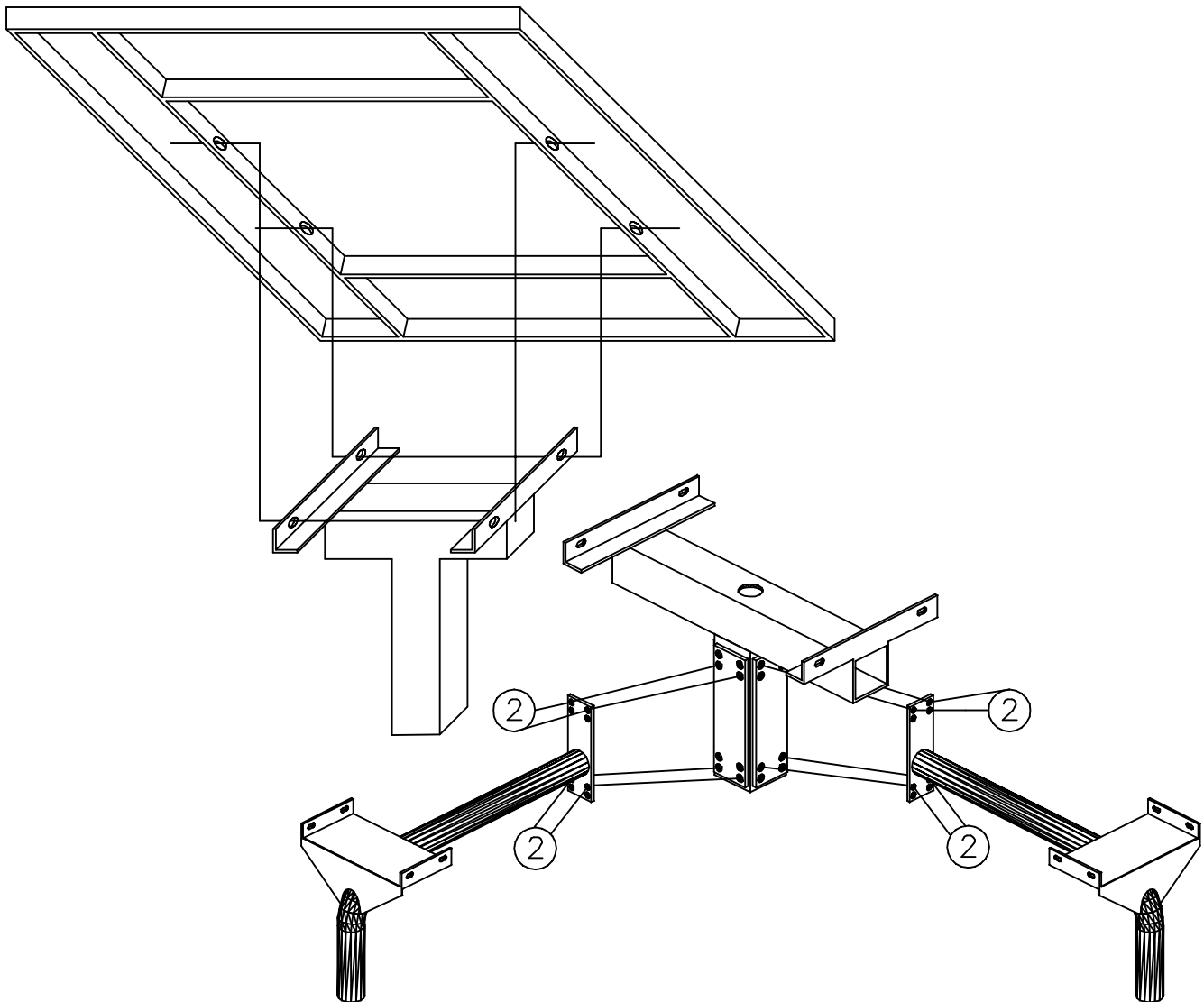
## STEP 4

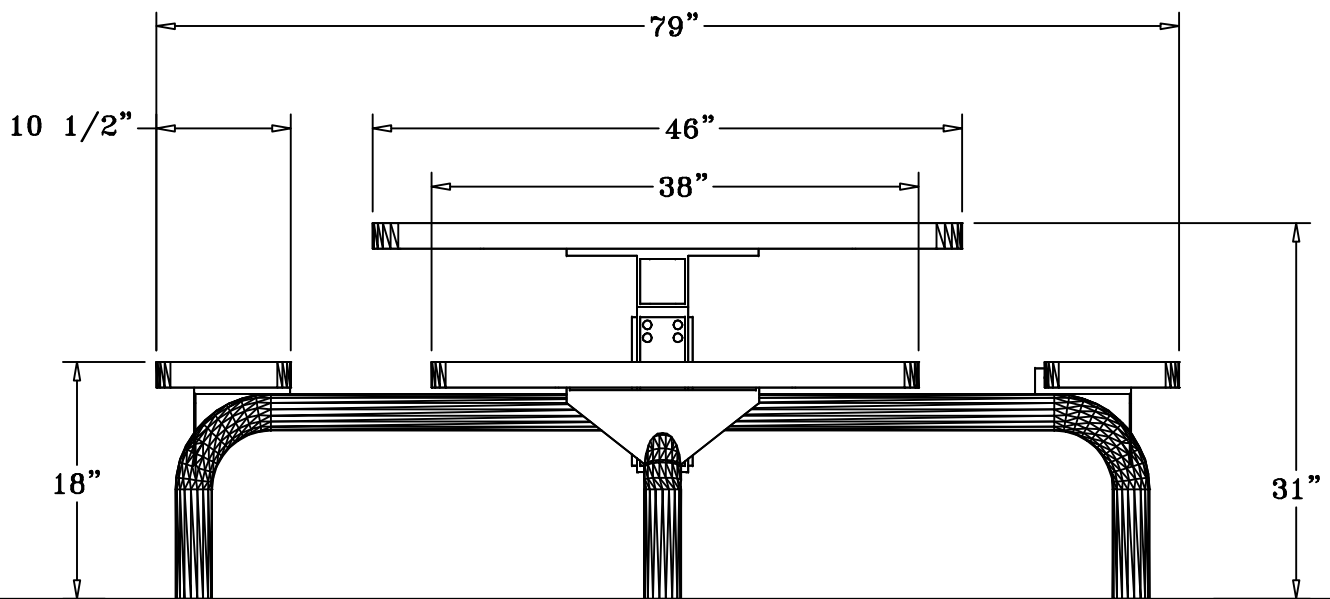
TIGHTEN ALL BOLTS LEVELING AND SLIGNING PARTS AS YOU GO.  
DO NOT OVER TIGHTEN AS THIS WILL CAUSE THE PLASTISOL COATING TO CRACK.

## STEP 5

ATTACH TO A SMOOTH LEVEL SURFACE.  
SURFACE MOUNTING HARDWARE NOT INCLUDED.

1	CAP BOLT & WASHER
2	WASHER & LOCK NUT





## SPECIFICATIONS

46" SQ. ROUND CORNER TABLE WITH FOUR ATTACHED 38" X 10 1/2" SEATS.  
FRAME IS PORTABLE OR SURFACE MOUNT DESIGN.

COATED WITH A 1/8" TO 1/4" THICK PLASTISOL ULTRAVIOLET STABILIZED VINYL COATING FUSED  
AND BAKED TO A 90% GLOSS.

TABLE HEIGHT IS 31" APPROXIMATELY. SEAT HEIGHT IS 18" APPROXIMATELY.  
TOTAL OVERALL SQUARED DIMENSION IS 79".

TOP AND SEATS ARE MADE WITH HEAVY DUTY 3/4" #9 EXPANDED METAL INSIDE OF A 2" X 2"  
X 1/8" ANGLE IRON FRAME.

FRAME IS A SINGLE 4" X 4" PEDESTAL MOUNTED TO THE CENTER OF THE TABLE TOP. EXTENDING  
OUT FROM THE 4" SQUARE TUBING ARE FOUR 2 7/8" ROUND TUBING ARMS THAT THE SEATS ARE  
MOUNTED TO. COATED WITH A BAKED ON POLYESTER POWDER COAT FINISH.

ALL HARDWARE IS NON-CORROSIVE.

WEIGHT FOR THE T46WEBPSM IS 284 LBS.

## MAINTENANCE

To maintain luster it is recommended to wash, rinse, and dry the units after prolonged use.  
Check for loose bolts and nuts and tighten as needed. Contact the factory for genuine  
Webcoat part replacements if needed.