



T8PERFDBLPED— HDCPSM

8' PERFORATED DOUBLE
PEDESTAL HDCP TABLE
SURFACE MOUNT DESIGN

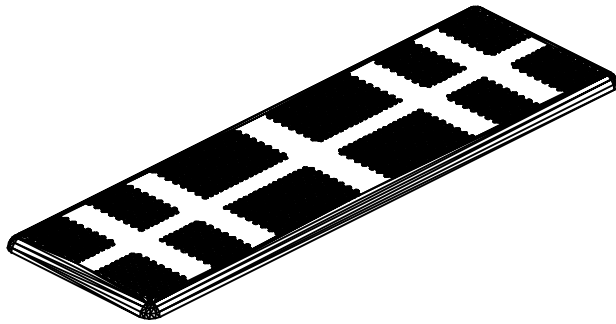
WEBCOAT PRODUCTS
P.O. BOX 3160
McALESTER, OKLAHOMA 74501
1-800-505-5101
FAX: (918)426-5924
E-MAIL: WEBCOAT@WEBCOAT.COM

Please take the time to locate and identify each part. Assemble the units on a smooth flat surface. It is also helpful to lay the tops and seats on cardboard or a drop cloth to prevent scratching of the surface during assembly. All parts have been pre-cut and pre-drilled for ease of assembly. All holes are slotted to allow for easy assembly and for final levelling of tops and seats to frames. Fully assemble all parts without totally tightening nuts and bolts. After all assembled go back and retighten nuts to bolts. DO NOT OVER TIGHTEN NUTS TO BOLTS. Over tightened nuts can crack the plastisol coating. All the necessary quantities of parts required are listed in this assembly instructions.

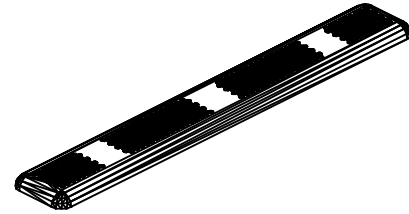
DO NOT BEGIN ASSEMBLY UNTIL YOU HAVE READ THESE INSTRUCTIONS AND ARE FAMILIAR WITH THE PARTS.



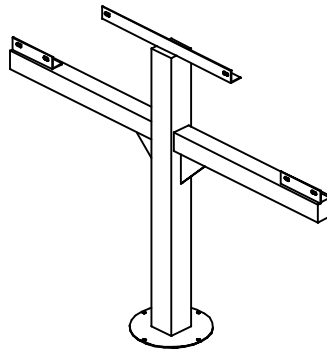
PARTS IDENTIFICATION



(A) 8' PERFHDCP TOP



(B) 6' PERDHDCP SEAT



(C) DOUBLE PEDESTAL FRAME

PARTS LIST

ITEM	PART#	DESCRIPTION	QTY.
A	TT8PERFHDCP	8' PERF HDCP TOP	1
B	S8PERFHDCP	8' PERF HDCP SEAT	2
C	FDBLPED	DOUBLE PEDESTAL FRAME	2

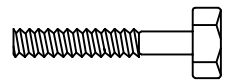
ITEM	HARDWARE DESCRIPTION	QTY.
HW1	5/16" X 18 NYL LOCKNUTS	12
HW2	5/16" X 18GA CAP BOLTS	12
HW3	5/16" FLAT WASHERS	24
HW4	BOLT GUARDS	12
HW5	5/8" NUTS	8
HW6	5/8" BOLTS	8

ASSEMBLY TOOLS REQUIRED
2- 1/2" WRENCHES

HARDWARE IDENTIFICATION



(HW1) 5/16" X 18
NYL LOCKNUTS



(HW2) 5/16" X 18
GAUGE CAP BOLTS



(HW5) 5/8" NUTS



(HW3) 5/16"
FLAT WASHERS



(HW4) BOLT
GUARDS



(HW6) 5/8" BOLTS

ASSEMBLY PROCEDURES

STEP 1

LAY TOP UPSIDE DOWN ON A SMOOTH FLAT SURFACE.
MOUNT TOP ON PEDESTAL POSTS BY MATCHING UP THE HOLES ON BRACES OF THE TOP TO THE HOLES IN THE 2" x 2" ANGLE IRON ON THE POST. MOUNT BY MEANS OF FOUR 5/16" X 1 1/2" CAP BOLTS, EIGHT 5/16" FLAT WASHERS, AND FOUR 5/16" NYLOCK NUTS.

STEP 2

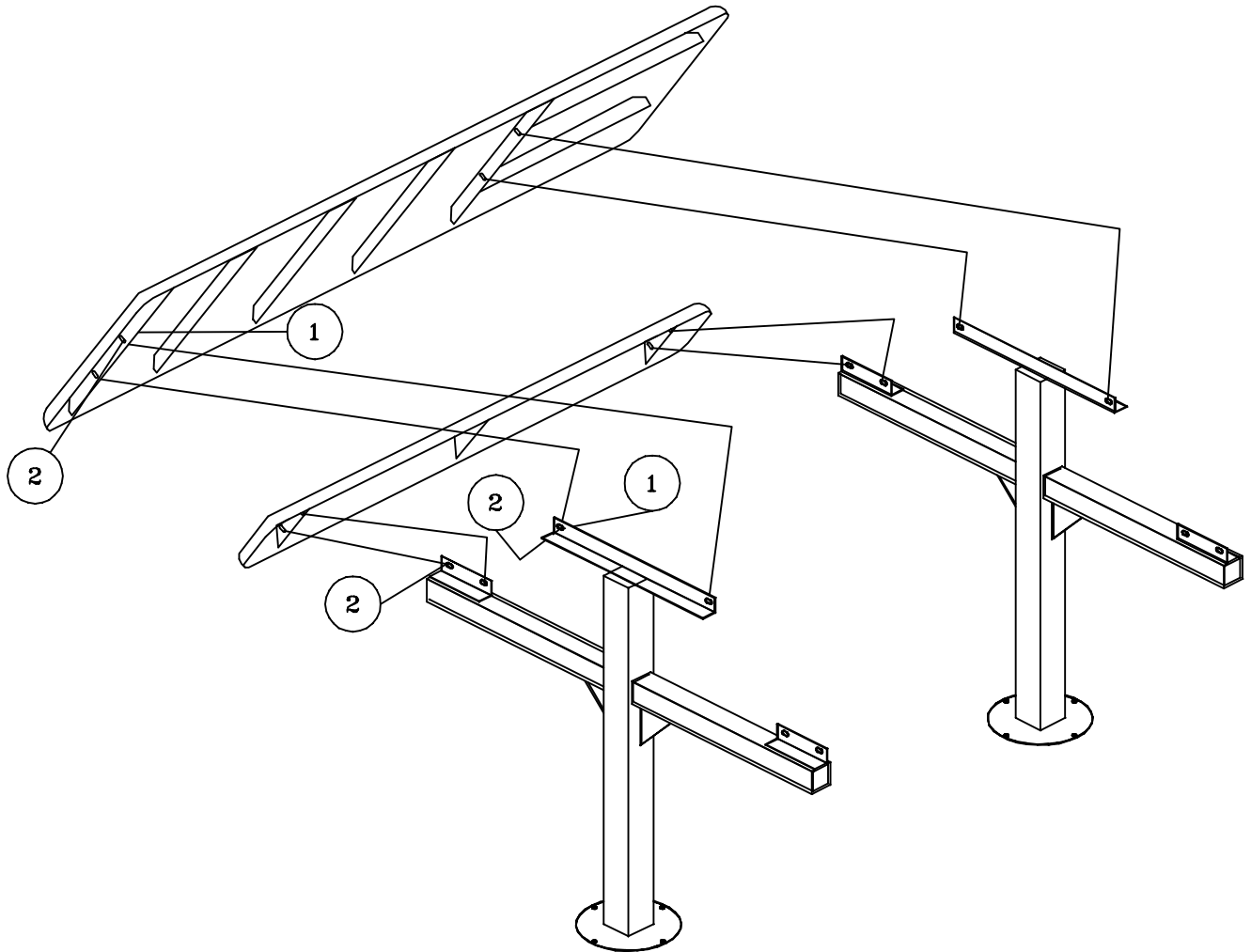
CAREFULLY SET TABLE UPRIGHT AND ATTACH FRAME TO A FLAT LEVEL SURFACE.
SURFACE MOUNTING HARDWARE NOT INCLUDED.

STEP 3

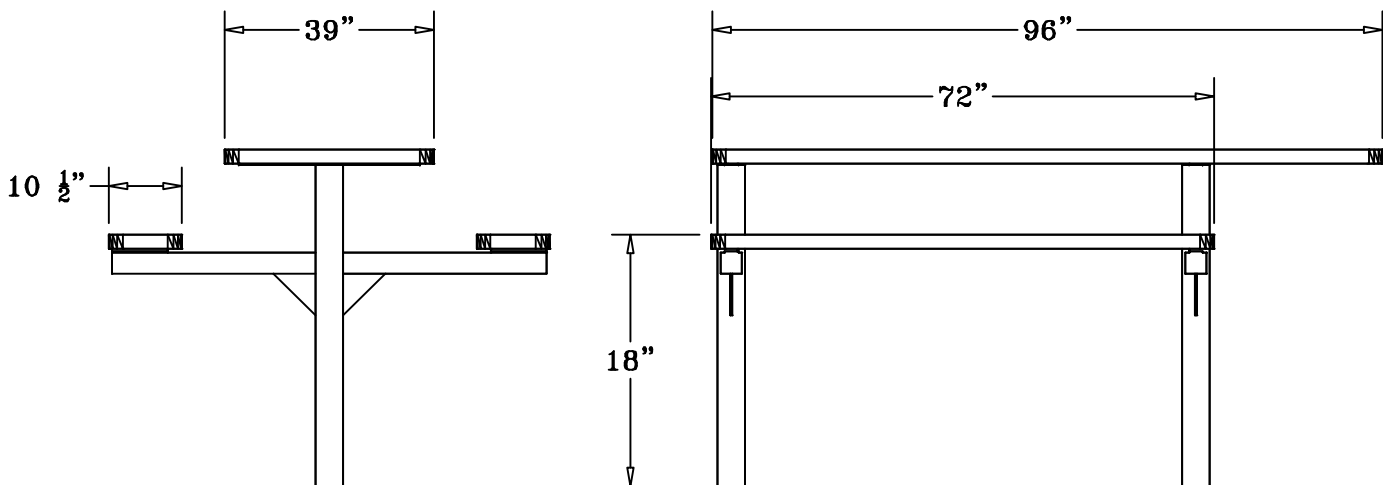
SET EACH OF THE TWO SEATS ON THE SEAT BRACKETS OF THE PEDESTAL ARMS. MATCHING UP THE TWO ARMS UNDER THE SEATS WITH FOUR HOLES ON THE ANGLE IRON BRACE OF THE ARMS. MOUNT BY MEANS OF EIGHT 5/16" X 1 1/2" CAP BOLTS, SIXTEEN 5/16" FLAT WASHERS, AND EIGHT 5/16" NYLOCK NUTS.

STEP 4

TIGHTEN ALL NUTS ON BOLTS AND PLACE BOLT GUARDS ON ALL NUTS. **DO NOT OVER TIGHTEN AS THIS COULD CAUSE THE PLASTISOL COATING TO CRACK.**



1	CAP BOLT & WASHER
2	WASHER & LOCK NUT



SPECIFICATIONS

8' POLY VINYL PERFORATED METAL TABLE TOP WITH TWO ATTACHED 6' SEATS, OFFSET TO ONE END TO ALLOW FOR WHEELCHAIR ACCESS. SURFACE MOUNT DESIGN.

FRAME IS A 4" X 4" SURFACE MOUNTED PEDESTAL, FROM THE 4" SQ. TUBING ARE 2 - 4" SQ. ARMS. FRAME IS INGROUND MOUNT DESIGN.

COATED WITH A 1/8" TO 1/4" THICK PLASTISOL ULTRAVIOLET STABILIZED VINYL COATING FUSED AND BAKED TO A 90% GLOSS.

TABLE HEIGHT 31" APPROXIMATELY. SEAT HEIGHT IS 18" APPROXIMATELY. TOTAL OVERALL DIMENSIONS ARE 96" X 61".

TOP AND SEATS ARE MADE FROM 11 GA. PRECISION PUNCHED STEEL. ALL CENTER BRACES ARE MADE FROM 1 1/2" X 1/4" FLAT STEEL.

ALL HARDWARE IS NON-CORROSIVE. WEIGHT FOR THE T8PERFDBLPEDHDCPSM IS 425 LBS.

MAINTENANCE

To maintain luster it is recommended to wash, rinse, and dry the units after prolonged use. Check for loose bolts and nuts and tighten as needed. Contact the factory for genuine Webcoat part replacements if needed.